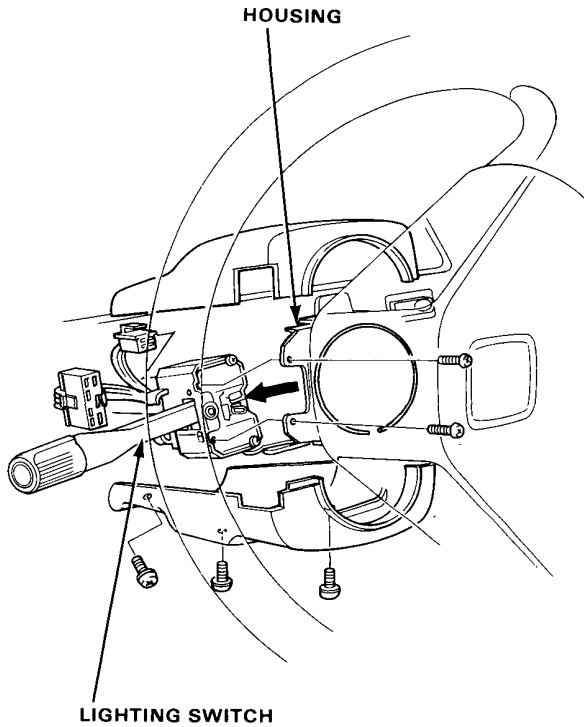


# Lighting System

## Lighting Switch Replacement

1. Remove the lower and upper covers from the steering column.
2. Disconnect the 7-P and 4-P connectors.
3. Remove the 2 screws and slide the lighting switch out of the housing as shown.

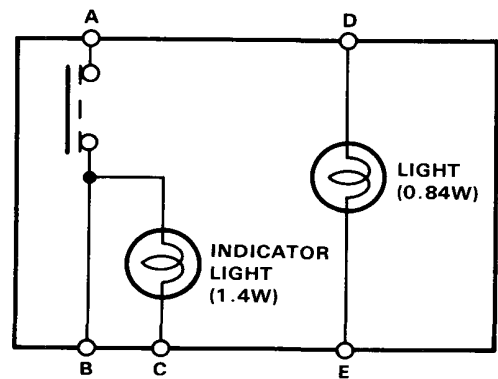
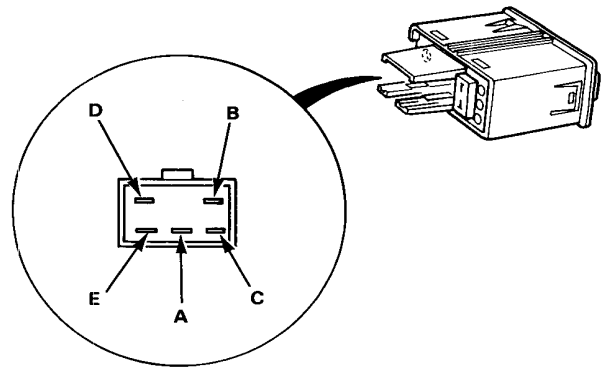
NOTE: Be carefull not to damage the steering wheel cover.



## Rear Fog Light Switch Test

1. Remove the switch from the instrument panel.
2. Check for continuity between the terminals according to the table.

Terminal Position	A	B	C	D	E
ON	○	○	○	○	○
OFF					



BULB/SOCKET  
(0.84W)

BULB/SOCKET  
(1.4W)

