

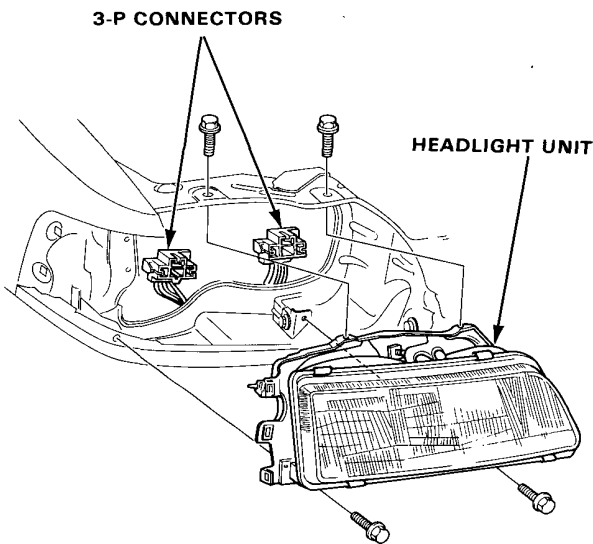


Headlights Replacement

CAUTION:

- Halogen headlights can become very hot in use; do not touch them or the attaching hardware immediately after they have been turned off.
- Do not try to replace or clean the headlights with the lights on.

1. Disconnect the 3-P connectors from behind the unit.
2. Remove the front bumper and 4 mount bolts, then remove the unit.



3. After installing the unit, adjust the headlights to local requirements.

Lighting Relay Test

1. Remove the lighting relay.
2. There should be continuity between the A and B terminals when the battery is connected to the C and D terminals. There should be no continuity when the battery is disconnected.

