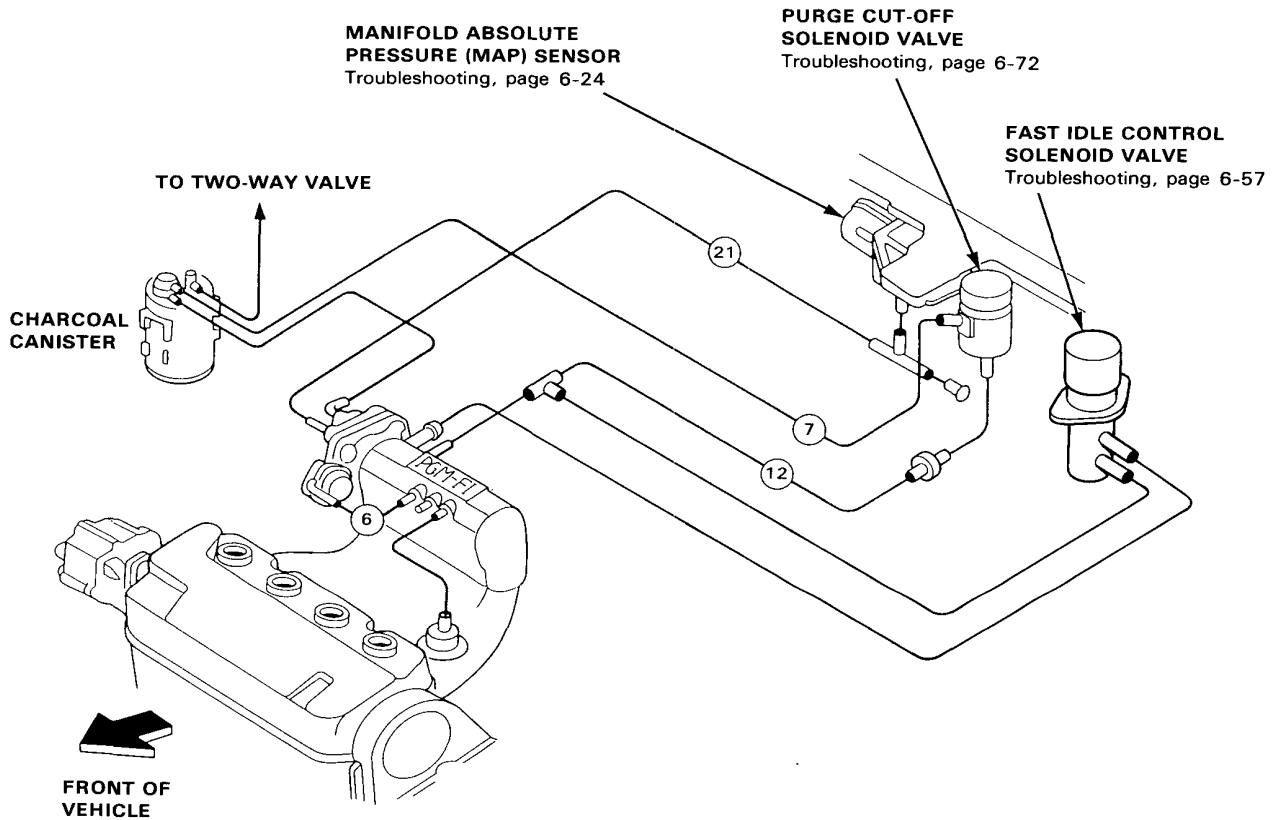


# System Description

## Vacuum Connections

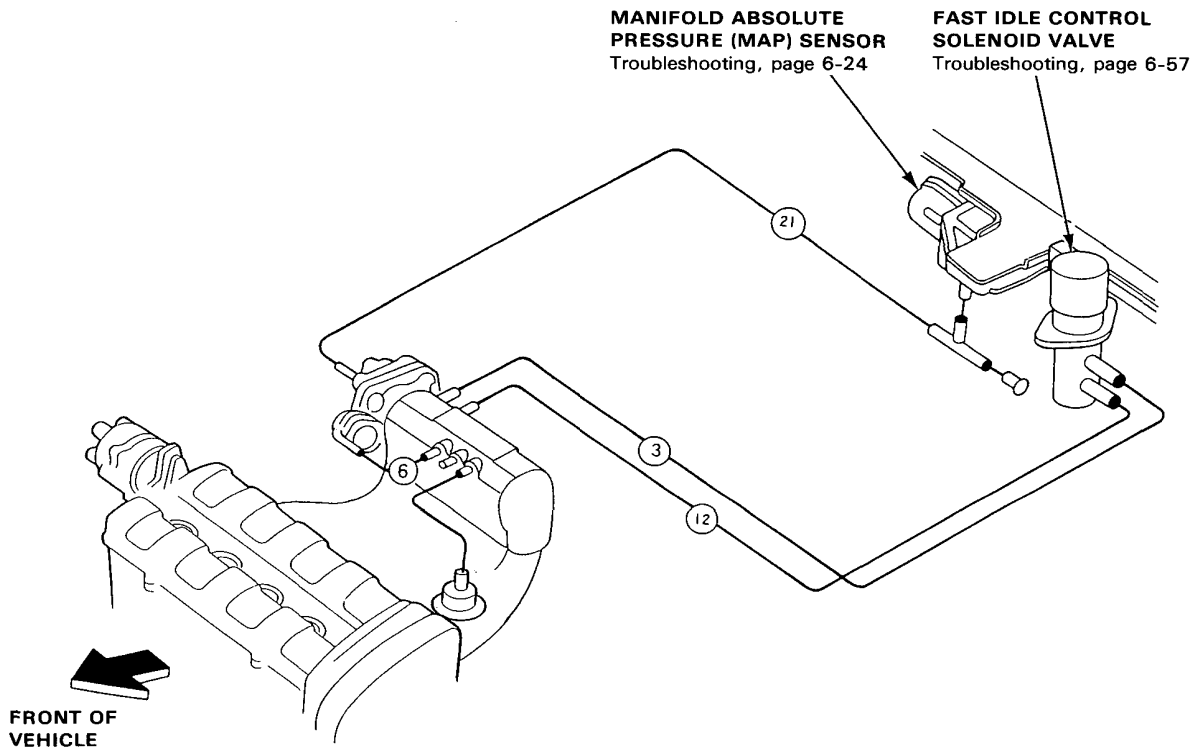
With CATA

NOTE: The illustration is SOHC type. DOHC type is the same as of SOHC type, except for the cylinder head.



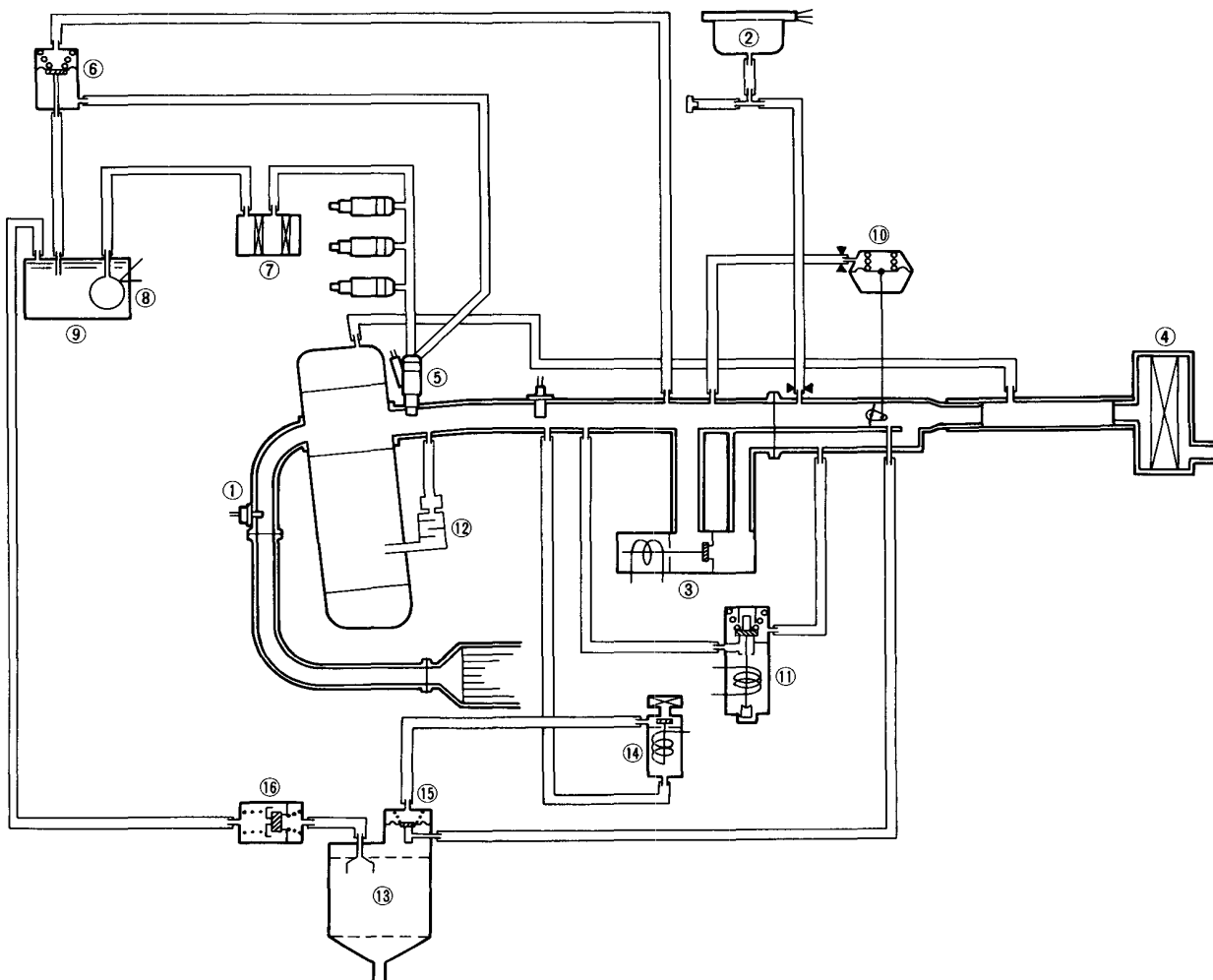


Without CATA



# Systems Descriptions

## Vacuum Connections [With CATA]

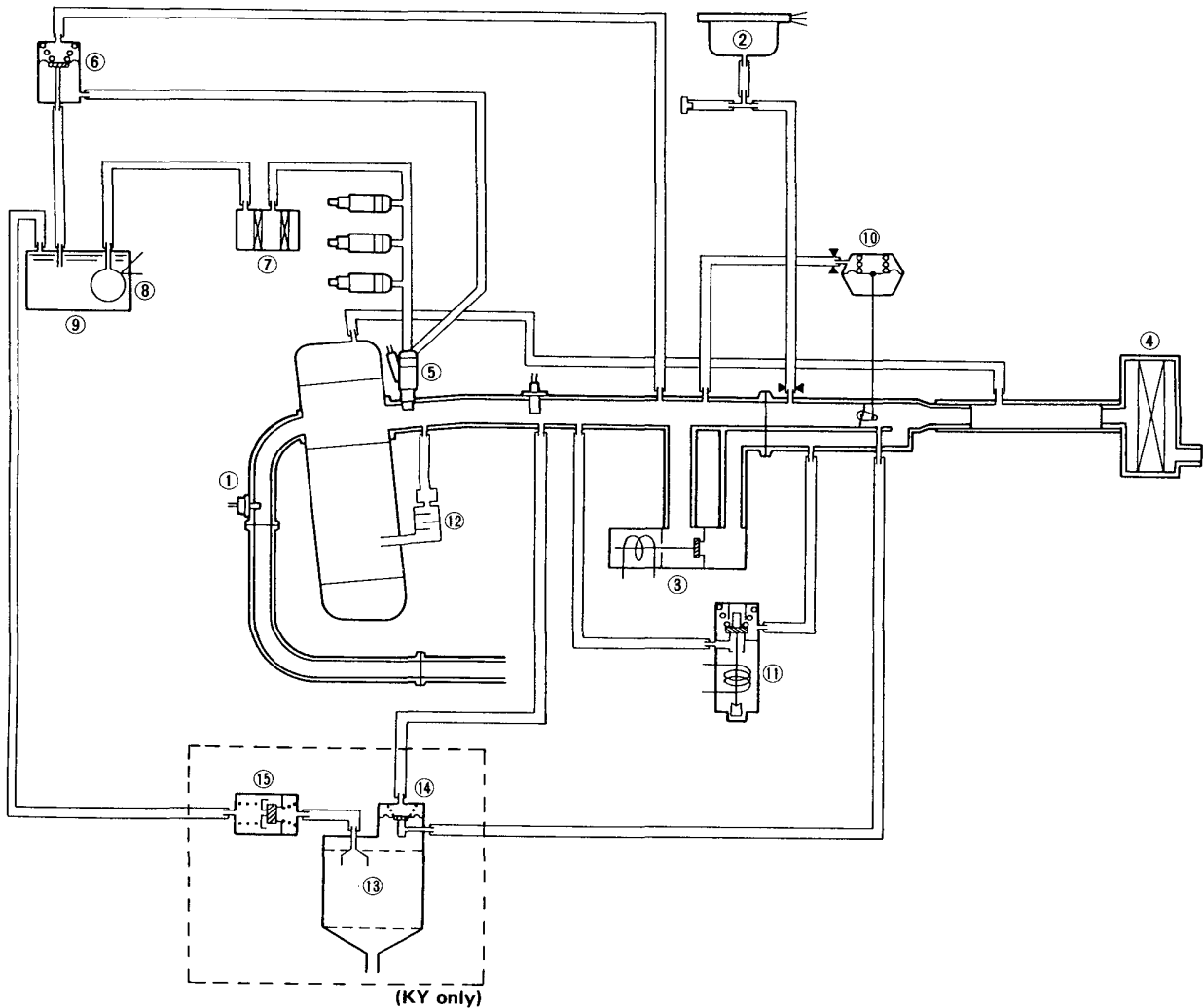


- ① OXYGEN (O<sub>2</sub>) SENSOR
- ② MANIFOLD ABSOLUTE PRESSURE (MAP) SENSOR
- ③ ELECTRONIC AIR CONTROL VALVE (EACV)
- ④ AIR CLEANER
- ⑤ FUEL INJECTOR
- ⑥ PRESSURE REGULATOR
- ⑦ FUEL FILTER
- ⑧ FUEL PUMP
- ⑨ FUEL TANK
- ⑩ DASHPOT DIAPHRAGM

- ⑪ FAST IDLE CONTROL SOLENOID VALVE
- ⑫ PCV VALVE
- ⑬ CHARCOAL CANISTER
- ⑭ PURGE CUT-OFF SOLENOID VALVE
- ⑮ PURGE CONTROL DIAPHRAGM VALVE
- ⑯ TWO-WAY VALVE



# Vacuum Connections [Without CATA]



- ① OXYGEN (O<sub>2</sub>) SENSOR
- ② MANIFOLD ABSOLUTE PRESSURE (MAP) SENSOR
- ③ ELECTRONIC AIR CONTROL VALVE (EACV)
- ④ AIR CLEANER
- ⑤ FUEL INJECTOR
- ⑥ PRESSURE REGULATOR
- ⑦ FUEL FILTER
- ⑧ FUEL PUMP
- ⑨ FUEL TANK
- ⑩ DASHPOT DIAPHRAGM

- ⑪ FAST IDLE CONTROL SOLENOID VALVE
- ⑫ PCV VALVE
- ⑬ CHARCOAL CANISTER
- ⑭ PURGE CONTROL DIAPHRAGM VALVE
- ⑮ TWO-WAY VALVE