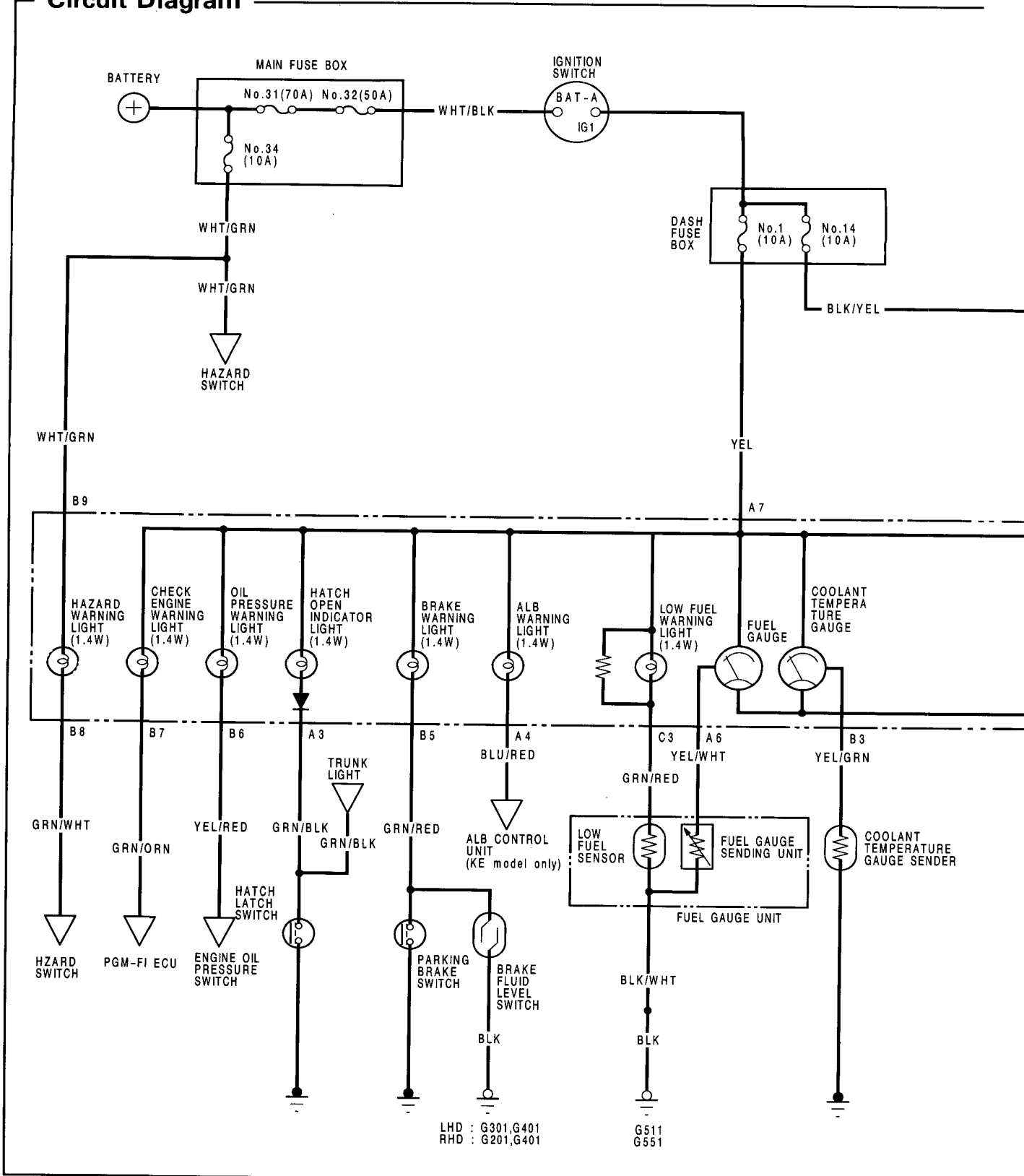
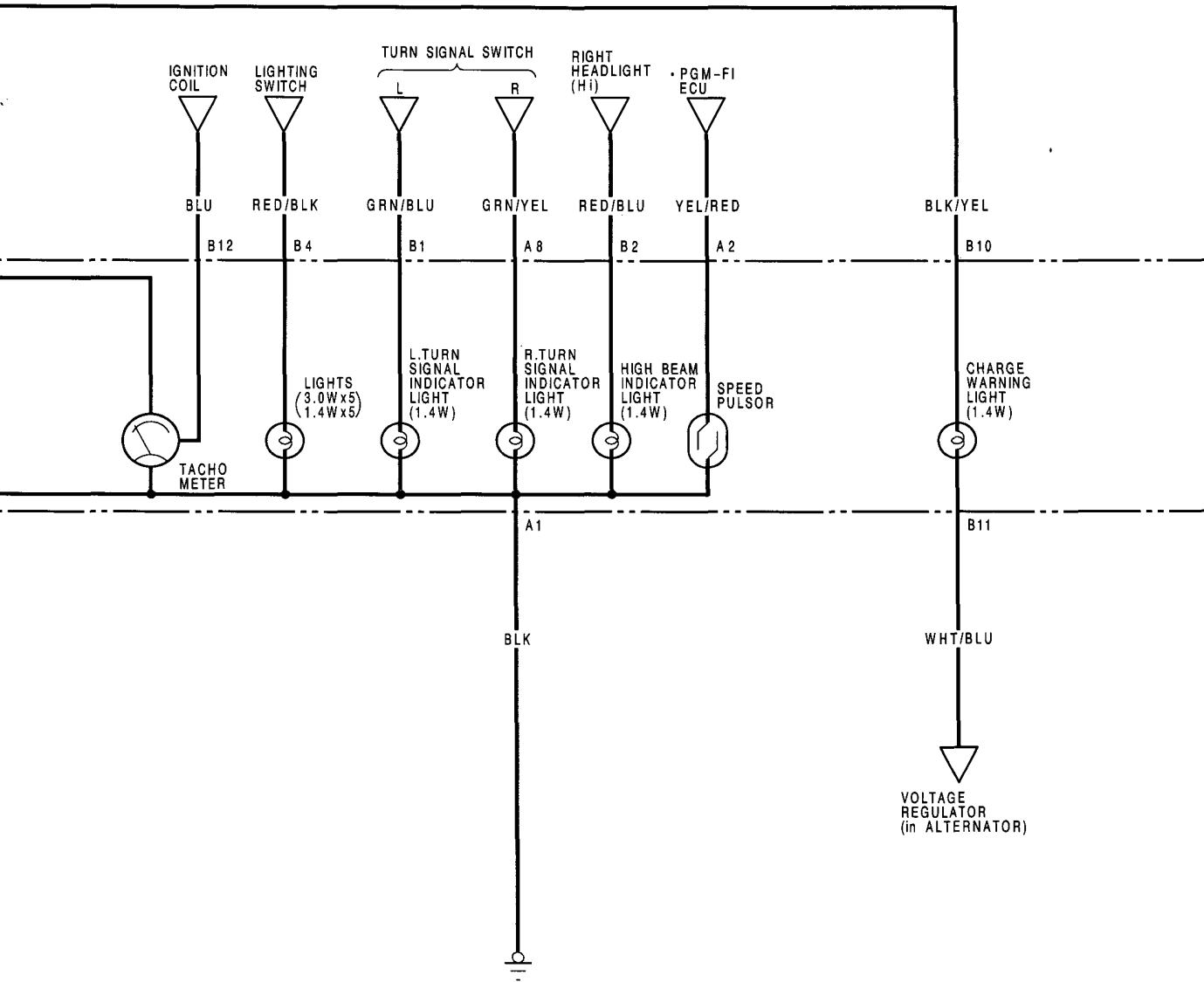


Gauge Assembly

Circuit Diagram





LHD : G301, G401
RHD : G201, G401