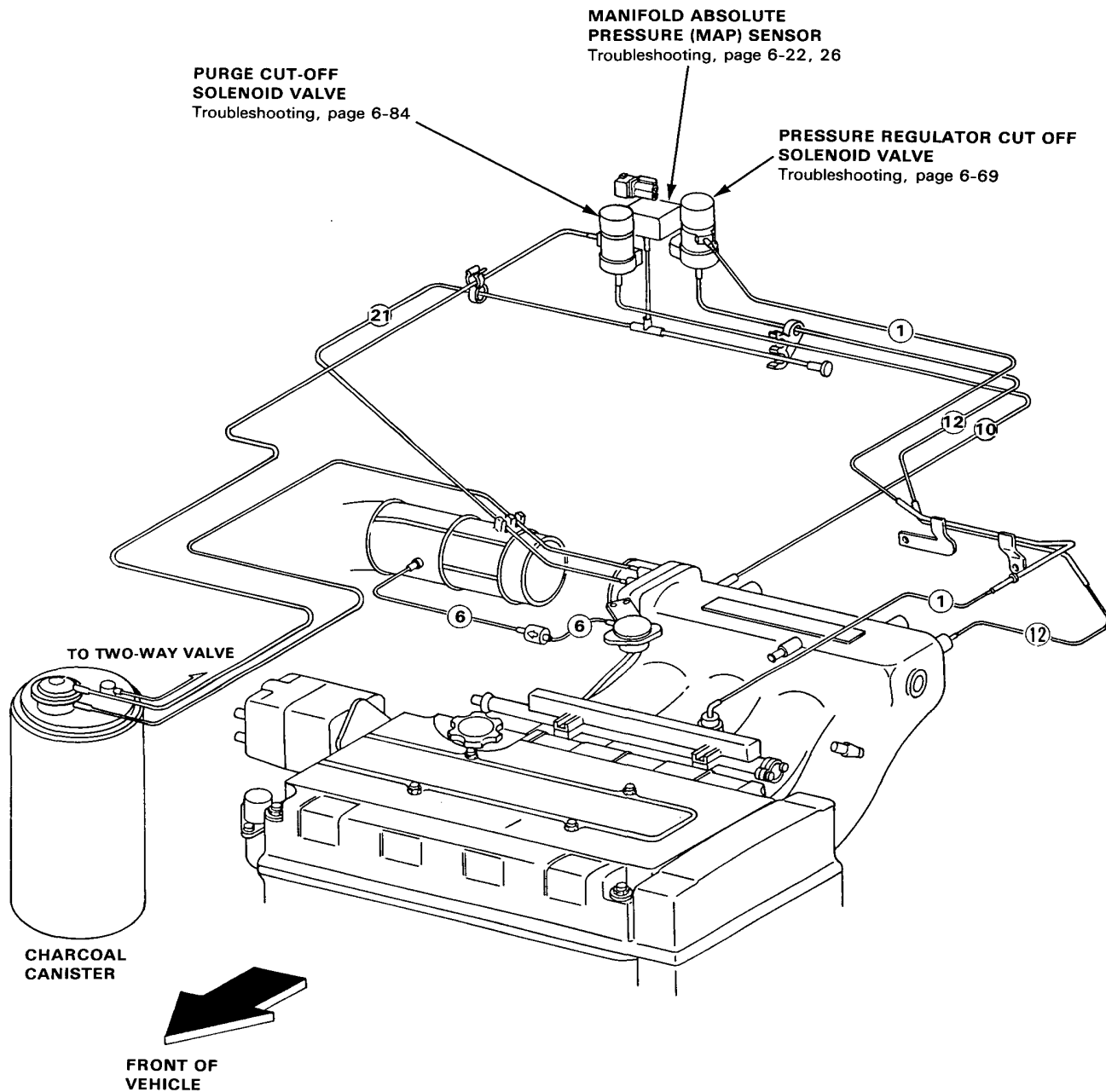


# System Description

## Vacuum Connections

[LH]



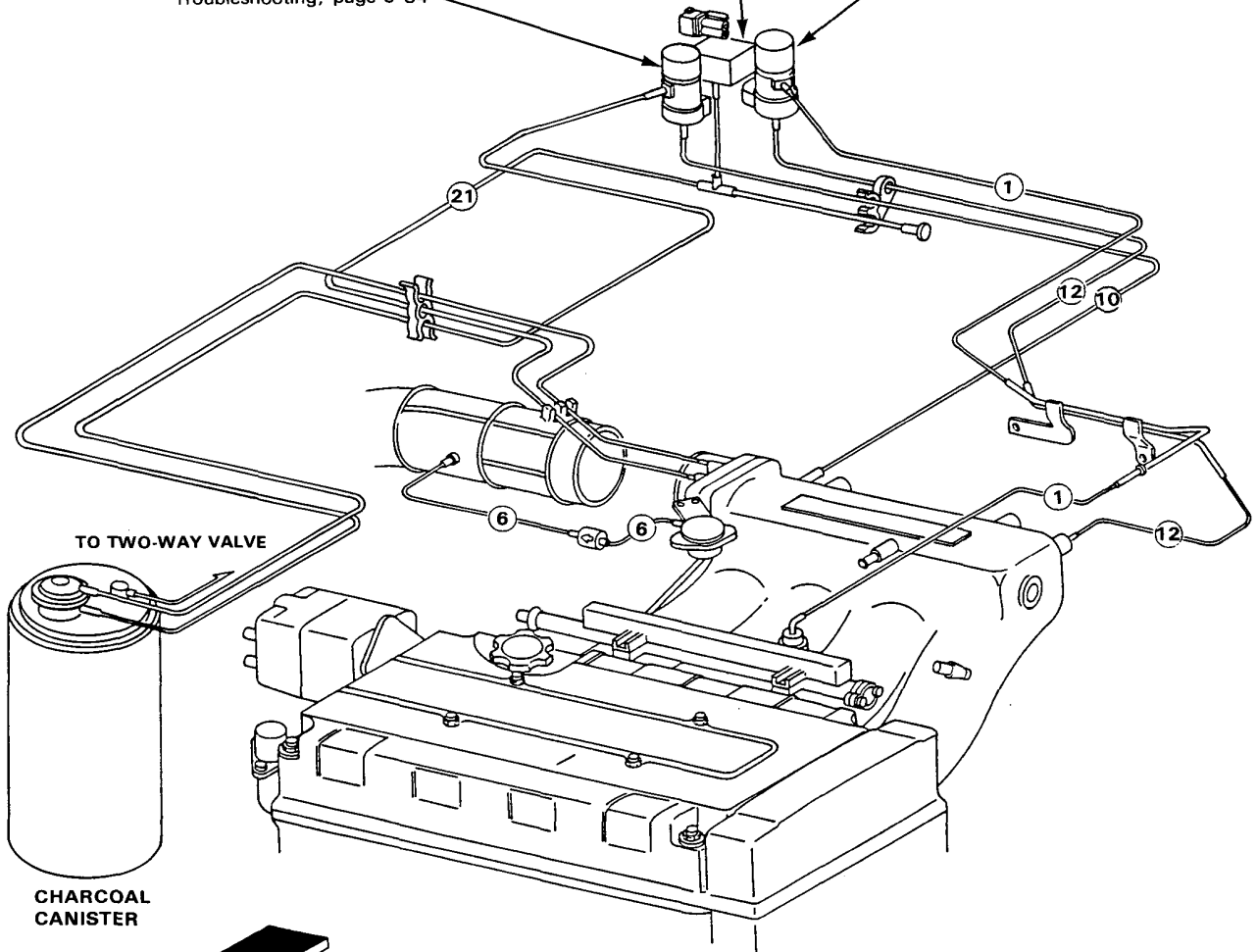


[RH]

**MANIFOLD ABSOLUTE  
PRESSURE (MAP) SENSOR**  
Troubleshooting, page 6-22, 26

**PRESSURE REGULATOR CUT OFF  
SOLENOID VALVE**  
Troubleshooting, page 6-69

**PURGE CUT-OFF  
SOLENOID VALVE**  
Troubleshooting, page 6-84



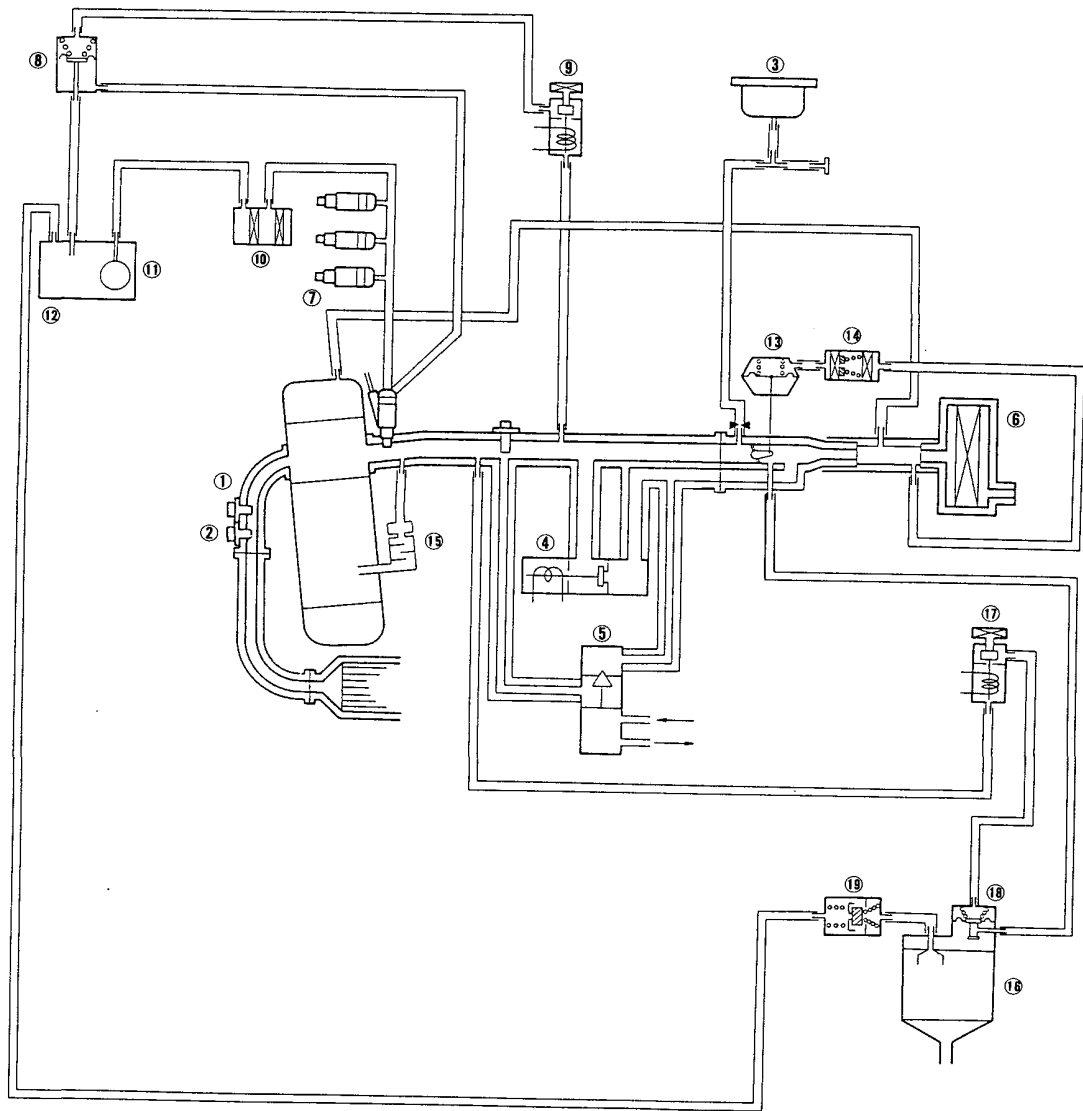
**CHARCOAL  
CANISTER**

**FRONT OF  
VEHICLE**



# System Description

## Vacuum Connections



- ① OXYGEN (O<sub>2</sub>) SENSOR A
- ② OXYGEN (O<sub>2</sub>) SENSOR B
- ③ MANIFOLD ABSOLUTE PRESSURE (MAP) SENSOR
- ④ ELECTRONIC AIR CONTROL VALVE (EACV)
- ⑤ FAST IDLE VALVE
- ⑥ AIR CLEANER
- ⑦ FUEL INJECTOR
- ⑧ PRESSURE REGULATOR
- ⑨ PRESSURE REGULATOR CUT-OFF SOLENOID VALVE
- ⑩ FUEL FILTER

- ⑪ FUEL PUMP
- ⑫ FUEL TANK
- ⑬ DASHPOT DIAPHRAGM
- ⑭ DASHPOT CHECK VALVE
- ⑮ PCV VALVE
- ⑯ CHARCOAL CANISTER
- ⑰ PURGE CUT-OFF SOLENOID VALVE
- ⑱ PURGE CONTROL DIAPHRAGM VALVE
- ⑲ TWO-WAY VALVE