

# Y1 (V-TEC)

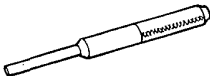
## Transmission

Removal/Installation .....	8-2
Shift Fork Shaft Assembly	
Disassembly/Reassembly .....	8-7

The structure of new type Y1 manual transmission. Therefor regarding way of disassembling or maintenance, the only different points from those of the precedent model have been reported in the manual. In addition to the above, we recommend to you the already published manual "No. 62PS100 FOR MAINTENANCE OF MODEL S1 MANUAL TRANSMISSION" for reference. As a result of a modification newly made on the shift fork, its steel bowl has been changed to a type that disassembly is not practicable.



### Special Tool

Ref. No.	Tool Number	Description	Q'ty	Remarks
①	07744-0010400	Pin Driver, 5.0 mm	1	
 ①				