

L3 (2WD)

Shift Fork Shaft Assembly

Disassembly/Reassembly8 – 10

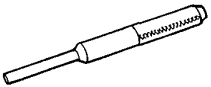


Outline of Model Change

- The shift fork has been changed.

Special Tool

Ref. No.	Tool Number	Description	Q'ty	Remarks
①	07744-0010400	Pin Driver, 5.0 mm	1	



①