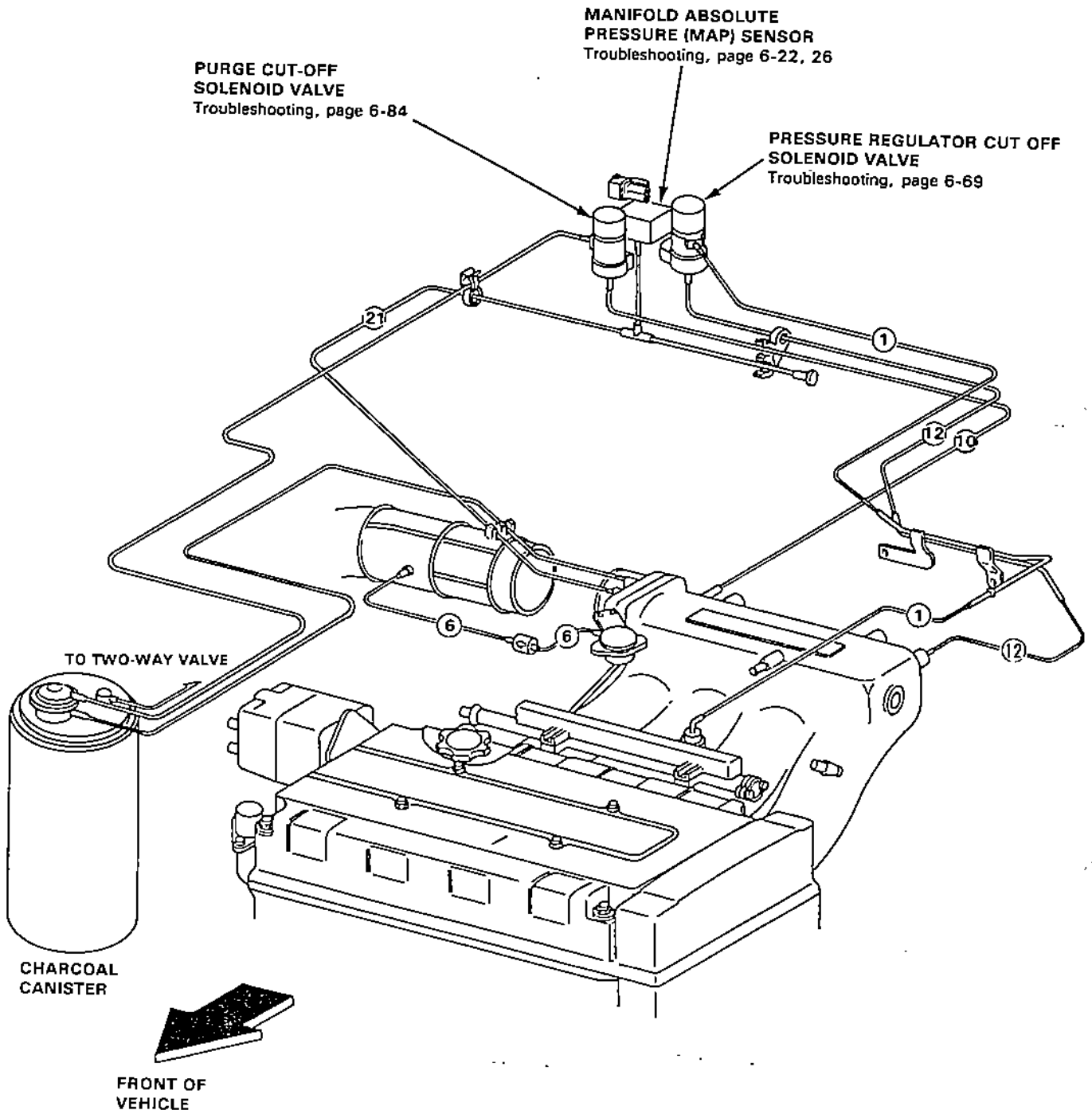


System Description

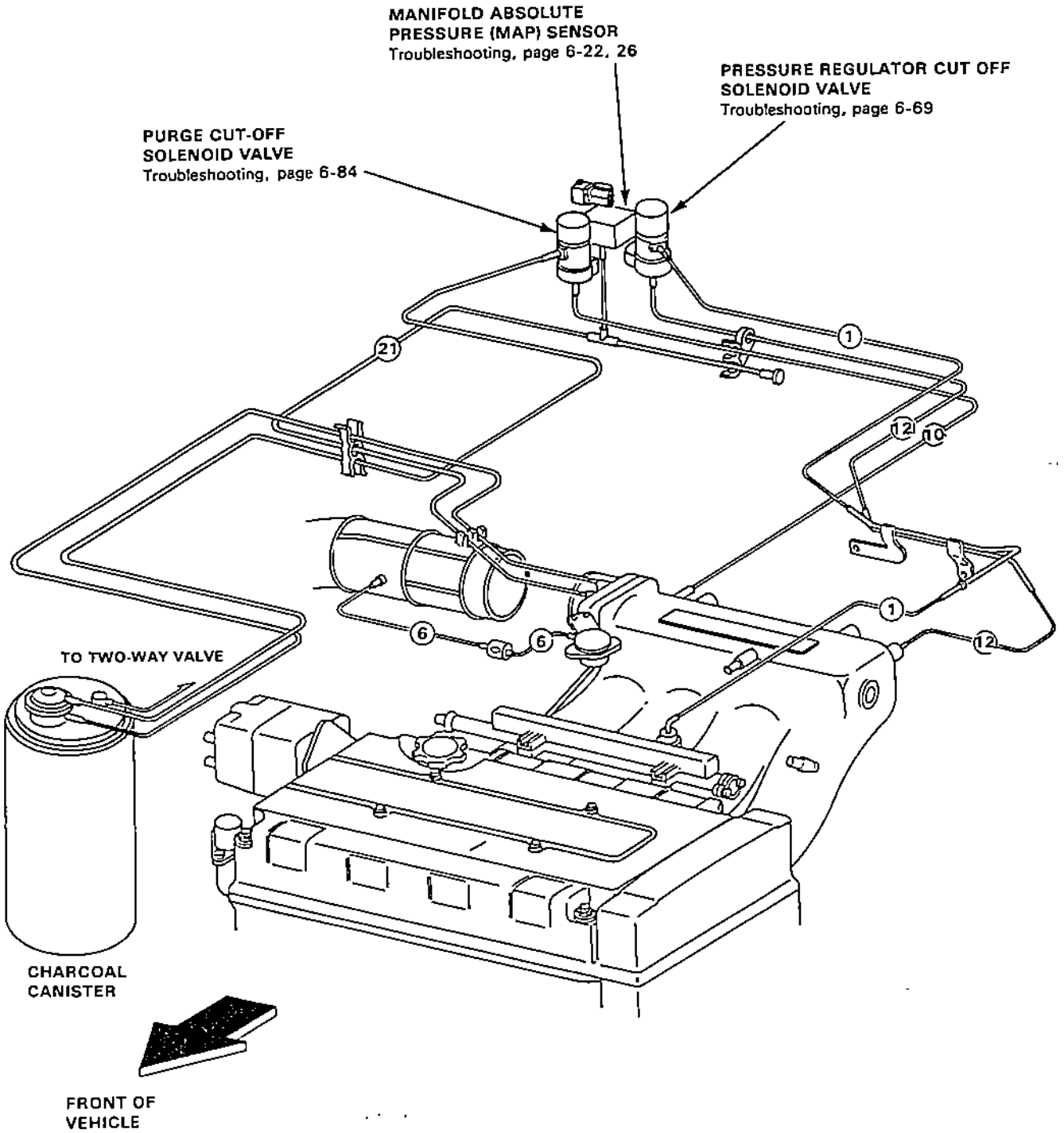
Vacuum Connections

[LH]



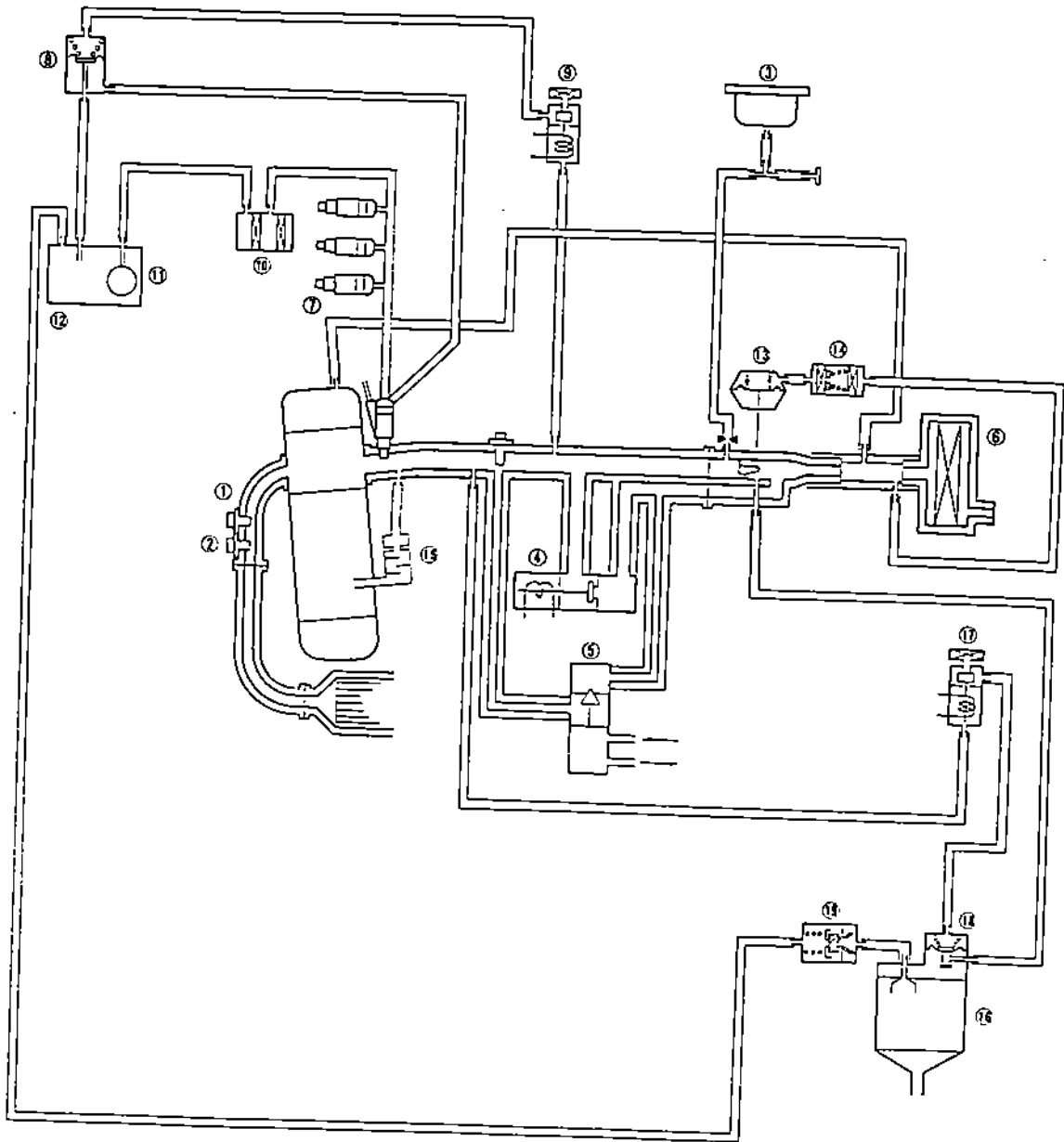


[RH]



System Description

Vacuum Connections



- ① OXYGEN (O₂) SENSOR A
- ② OXYGEN (O₂) SENSOR B
- ③ MANIFOLD ABSOLUTE PRESSURE (MAP) SENSOR
- ④ ELECTRONIC AIR CONTROL VALVE (EACV)
- ⑤ FAST IDLE VALVE
- ⑥ AIR CLEANER
- ⑦ FUEL INJECTOR
- ⑧ PRESSURE REGULATOR
- ⑨ PRESSURE REGULATOR CUT-OFF SOLENOID VALVE
- ⑩ FUEL FILTER

- ⑪ FUEL PUMP
- ⑫ FUEL TANK
- ⑬ DASHPOT DIAPHRAGM
- ⑭ DASHPOT CHECK VALVE
- ⑮ PCV VALVE
- ⑯ CHARCOAL CANISTER
- ⑰ PURGE CUT-OFF SOLENOID VALVE
- ⑱ PURGE CONTROL DIAPHRAGM VALVE
- ⑲ TWO-WAY VALVE