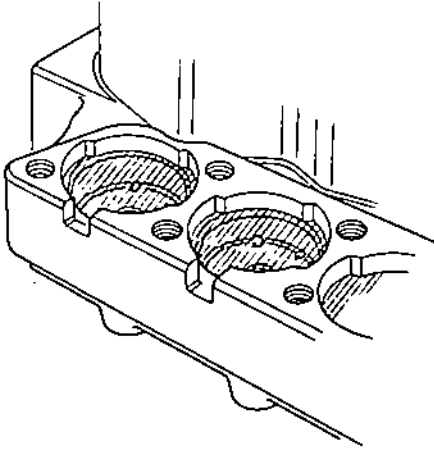


# Solenoid

## Reassembly

1. Fill the modulator body with brake fluid up to the step in the solenoid mounting hole.

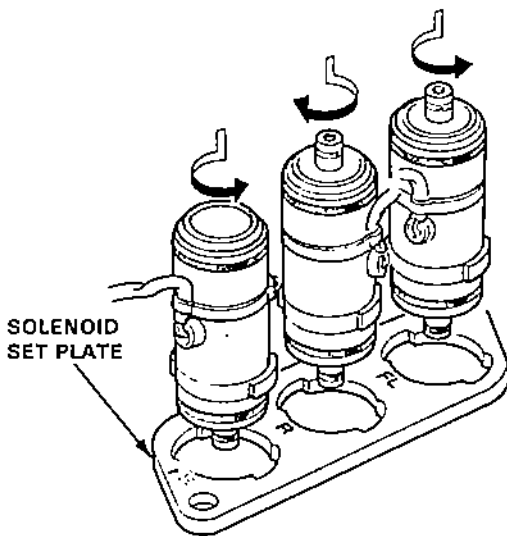
**NOTE:** On solenoid valve assembly, place shop rags over the solenoid valve and under the modulator valve to prevent the brake fluid from spilling on the valve.



2. Coat the O-ring with the clean brake fluid and install the O-ring onto the solenoid valve.
3. Install the solenoid valves on the set plate.

**WARNING** Each solenoid valve and set plate are marked for correct installation. If the solenoid valves are interchanged, the system will not work properly. Refer to the marks and be sure to install them in correct positions.

- Align the projection on the solenoid valve with the cutout in the set plate and turn the valve 1/2 turn. The solenoid wire should face rearward.



4. Install the solenoid adjust springs on the modulator body.
5. Install the solenoid valves and set plate and secure with the hexagonal socket screws.
6. Install the solenoid cover and solenoid head.
7. Install the reservoir tank.
8. Install the tank filter.
9. Connect the low pressure hose.

