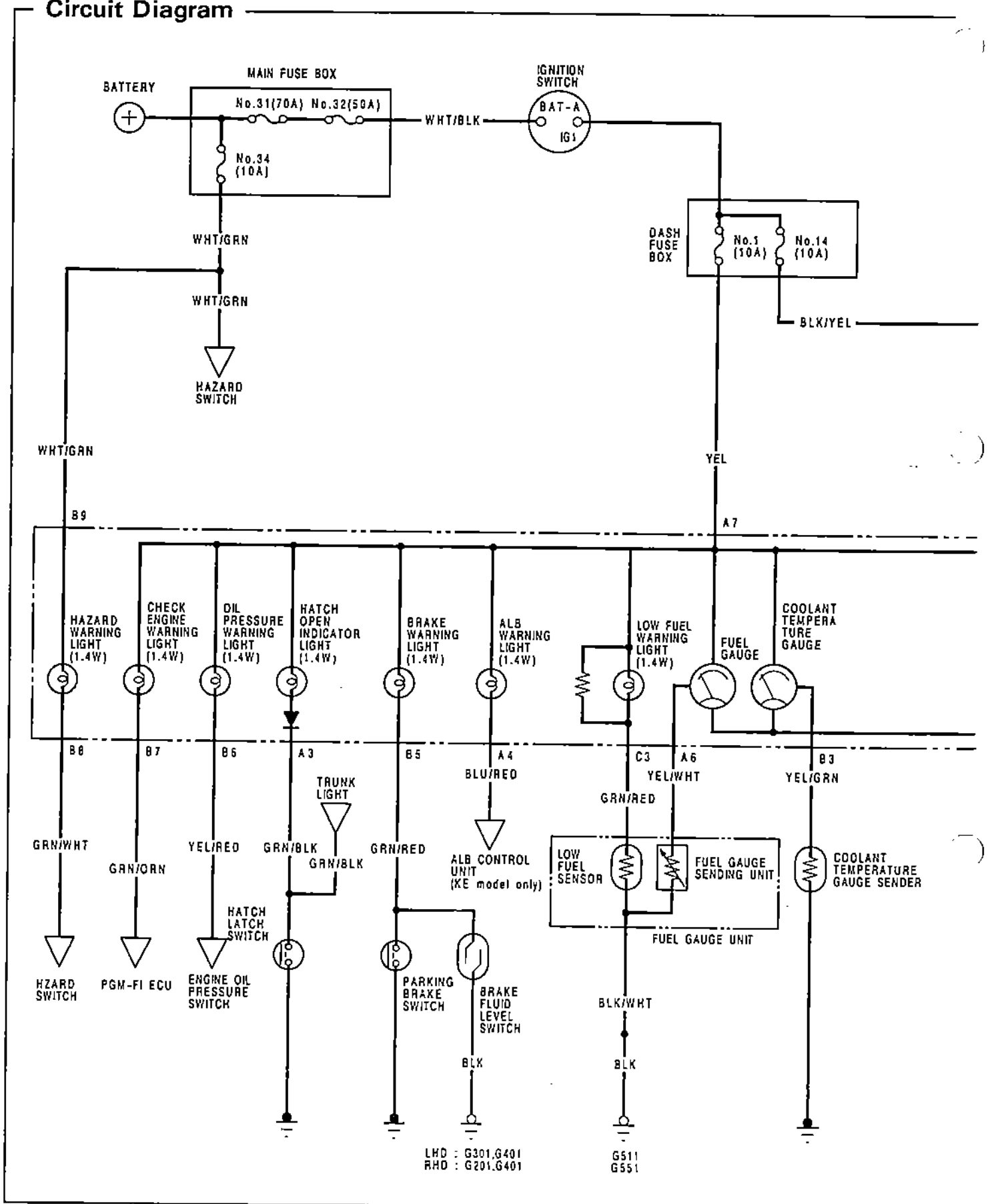
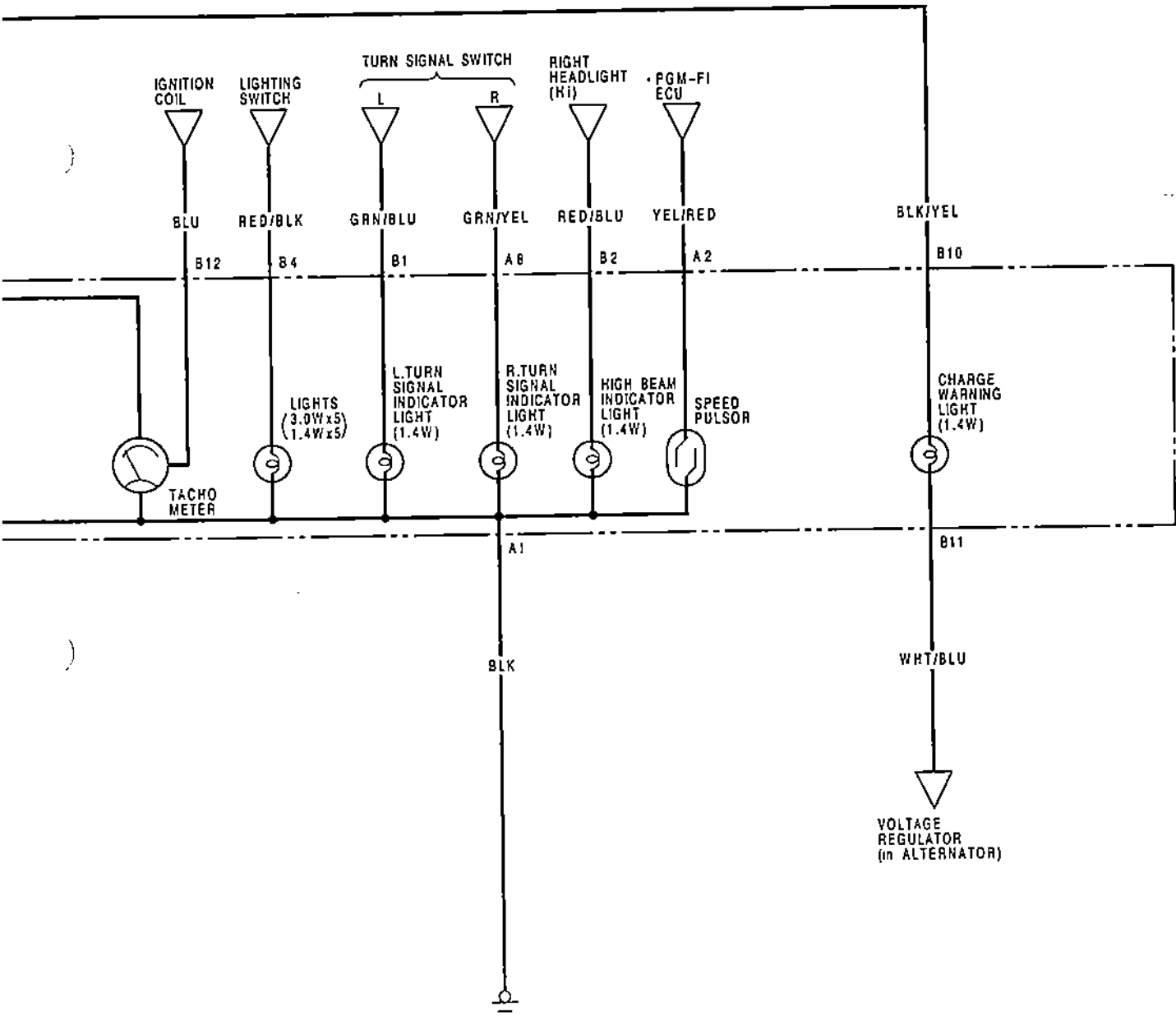


# Gauge Assembly

## Circuit Diagram





LHD : G301, G401  
RHD : G201, G401