

Lift and Support Points (cont'd)

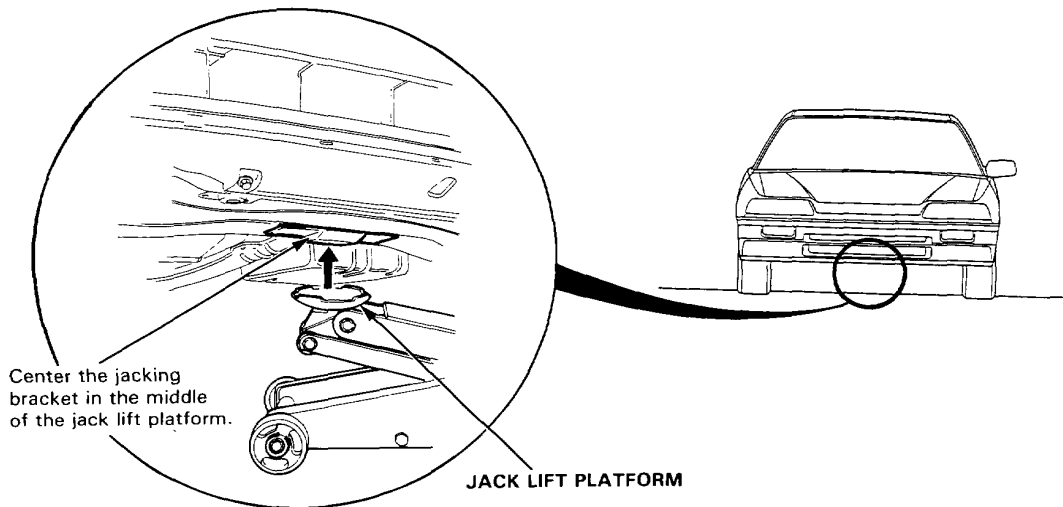
Floor Jack

1. Set the parking brake and block the wheels that are not being lifted.
2. When lifting the rear of the car, put the gearshift lever in reverse.
3. Raise the car high enough to insert the safety stands.
4. Adjust and place the safety stands as shown on page 1-7 so the car will be approximately level, then lower the car onto the stands.

WARNING

- Always use safety stands when working on or under any vehicle that is supported by only a jack.
- Never attempt to use a bumper jack for lifting or supporting the car.

Front



Rear

