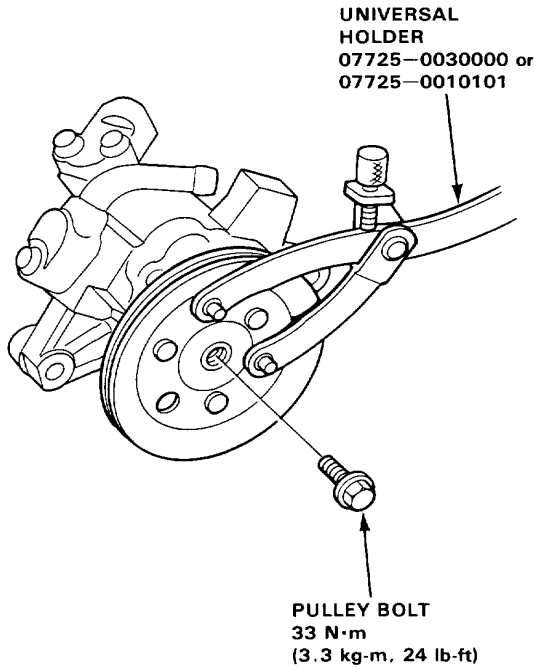


Steering Pump

Pulley Replacement

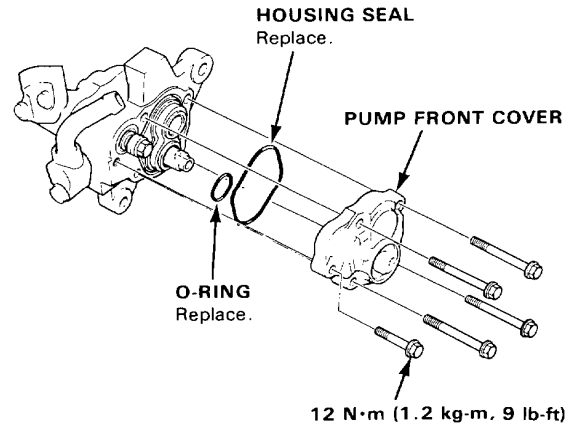
Remove the pulley bolt using the special tool, then remove the pulley.

NOTE: Pulley bolt has left hand threads.



Control Valve Inspection and Replacement

1. Remove the five 6 mm bolts in the order shown, then separate the pump front cover, pump housing and port housing.



2. Remove the control valve from the pump housing.

