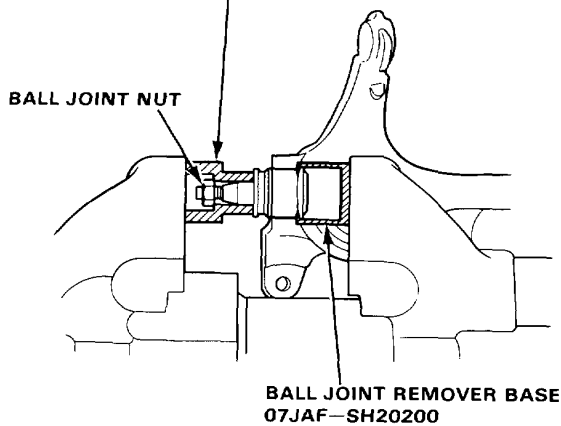




## Lower Ball Joint Replacement

1. Remove the knuckle (page 12-10).
2. Remove the boot by prying the snap ring off.
3. Remove the 40 mm circlip.
4. Install the special tool on the ball joint and tighten the ball joint nut.
5. Position the special tool over the ball joint as shown then set the assembly in a vise. Press the ball joint out of the knuckle.

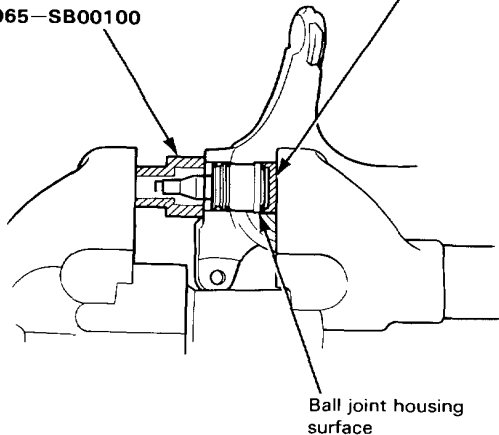
**BALL JOINT REMOVER/INSTALLER**  
07965-SB00100



6. Place the ball joint in position by hand.
7. Install the special tools over the ball joint as shown, then press the ball joint in.

**BALL JOINT REMOVER/INSTALLER**  
07965-SB00100

**BALL JOINT INSTALLER BASE**  
07965-SB00200



8. Install the 40 mm circlip.
9. Adjust the special tool with the adjusting bolt until the end of the tool aligns with the groove on the boot. Slide the clip over the tool and into position.

