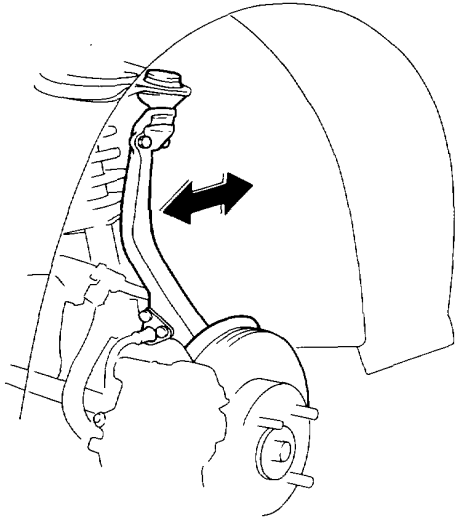


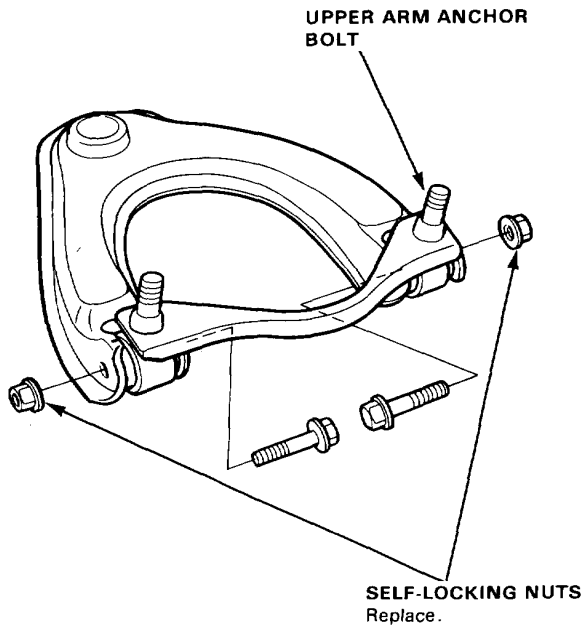
Front Suspension

Upper Arm Bushing Replacement

1. Remove the front wheels.
2. Rock the upper ball joint front-to-back.
3. Replace the upper arm bushings as follows if there is any play.

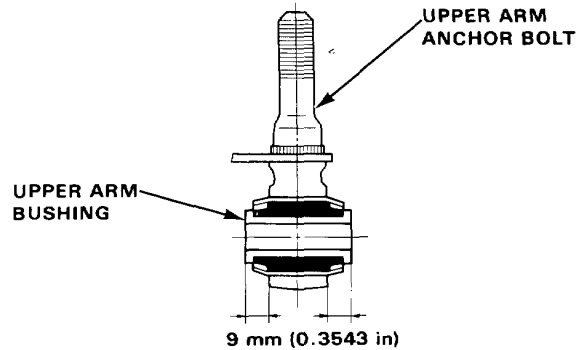


4. Remove the self-locking nuts, upper arm bolts and upper arm anchor bolts.



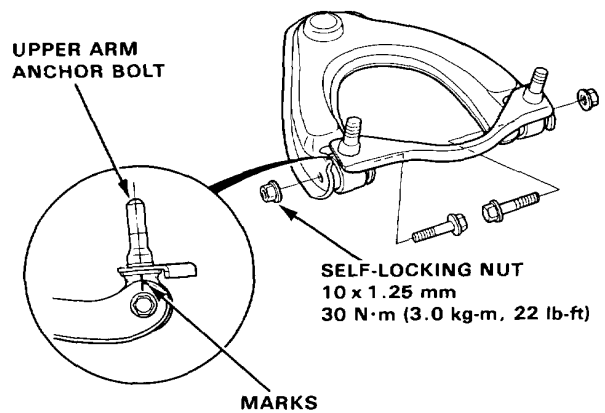
5. Place each upper arm anchor bolt in a vise and drive out the upper arm bushings.
6. Drive the new upper arm bushings into the upper arm anchor bolts.

NOTE: Center the bushing so that 9 mm (0.3543 in) protrudes from each side of the anchor bolt as shown.



7. Install the upper arm bolts and tighten the self-locking nuts.

NOTE: Align the upper arm anchor bolt with the mark on the upper arm.



9. After installation, check the camber (page 12-4).