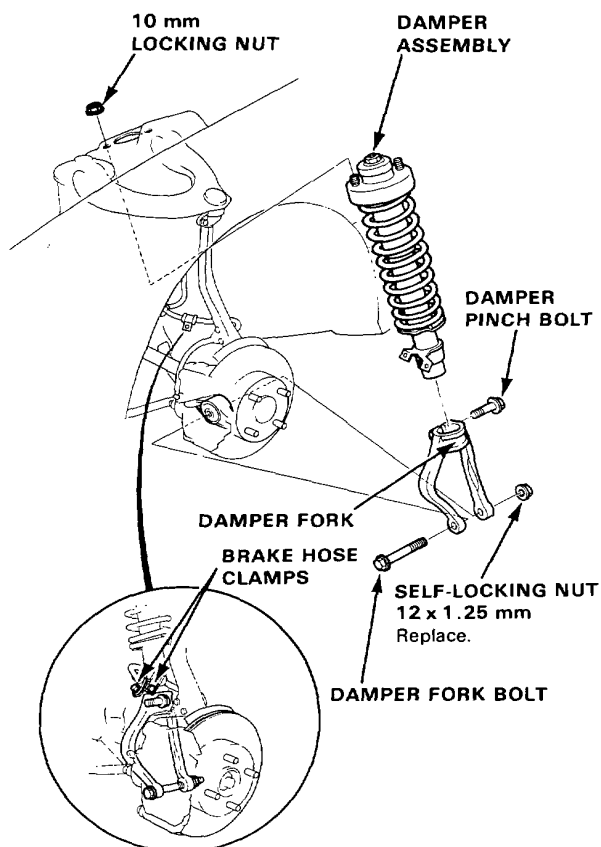




Damper Removal

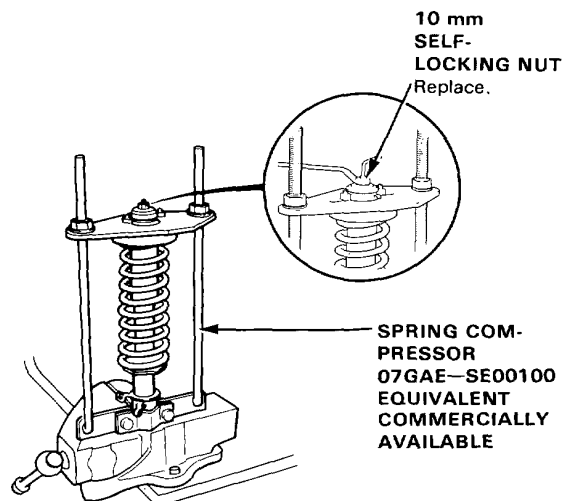
1. Remove the brake hose clamps from the damper.
2. Remove the damper pinch bolt.
3. Remove the damper fork bolt and remove the damper fork.
4. Remove the damper by removing the two 10 mm nuts.



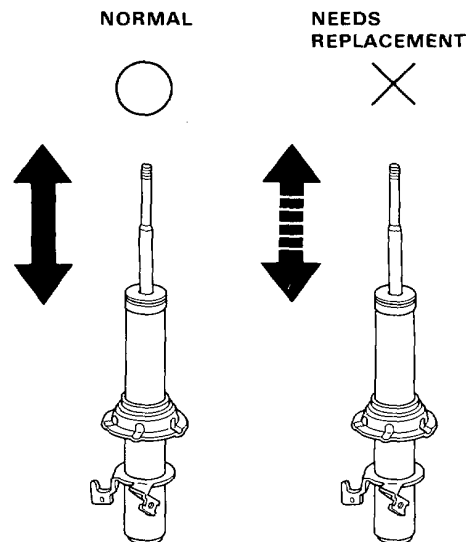
Damper Disassembly/Inspection

1. Compress the damper spring with the spring compressor according to the manufacturer's instructions, then remove the self locking nut.

CAUTION: Do not compress the spring more than necessary to remove the nut.



2. Remove the spring compressor then disassemble the damper as shown on the next page.
3. Check for smooth operation through a full stroke, both compression and extension.



4. Also check for smooth operation in short strokes of 5—10 cm (2—4 in). Replace the damper if resistance is uneven or jerky.
5. Check for oil leaks abnormal noises or binding during these tests.

(cont'd)