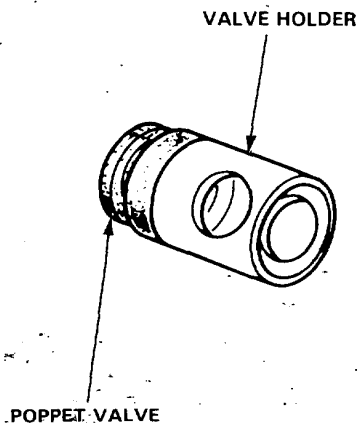


Brake Booster

Reassembly

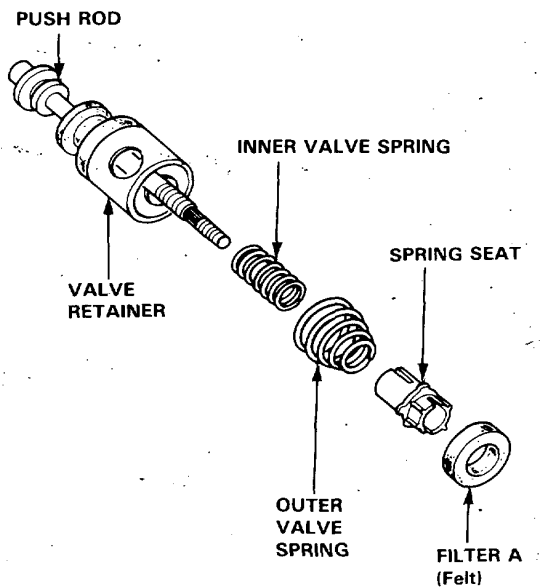
NOTE: Clean all parts before reassembly.

1. Install the poppet valve on the valve holder.

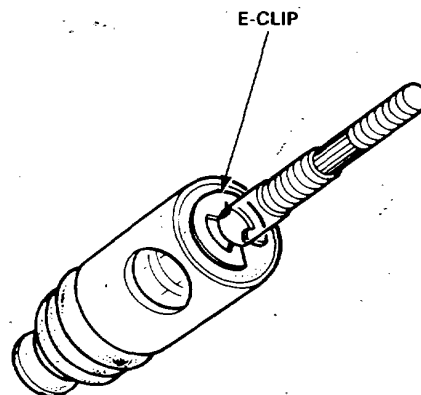


2. Install the valve holder, inner valve spring, outer valve spring and spring seat on the push rod.

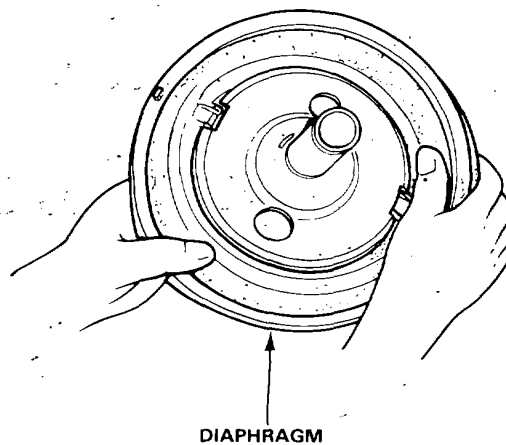
NOTE: Install the spring seat with its short end facing the filter side.



3. Install a new filter A (felt) on the push rod and secure with a new E-clip.

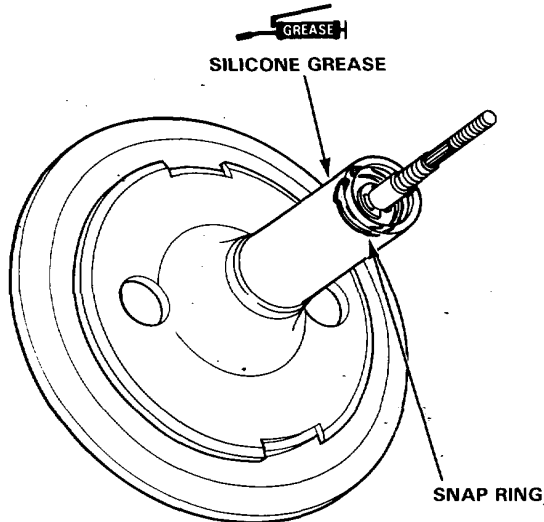


4. Install the diaphragm on the booster piston.

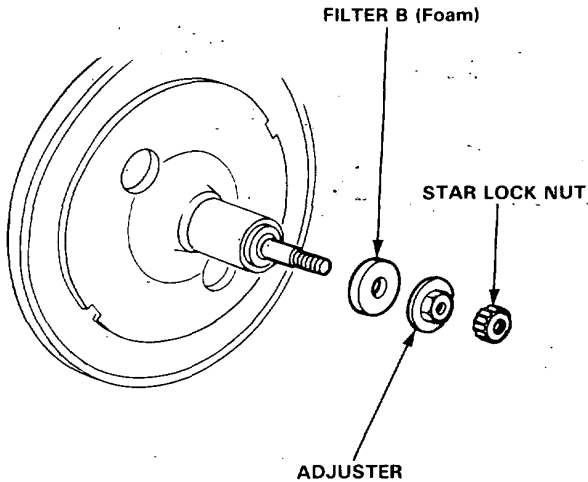




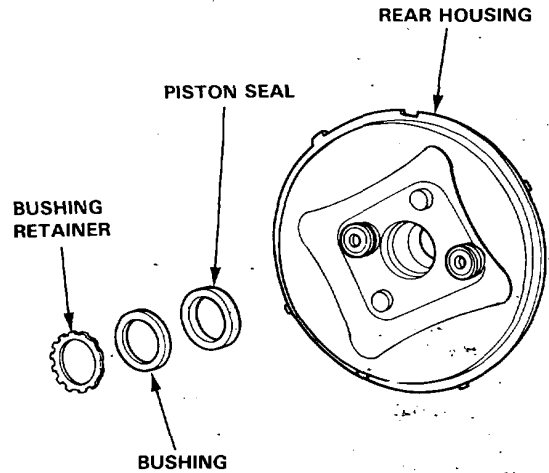
5. Apply silicone grease to the inner and outer surface of the booster piston tube.
6. Install the push rod assembly and secure with the snap ring.



7. Install filter B (foam) on the push rod, then loosely install the adjuster and start lock nut.



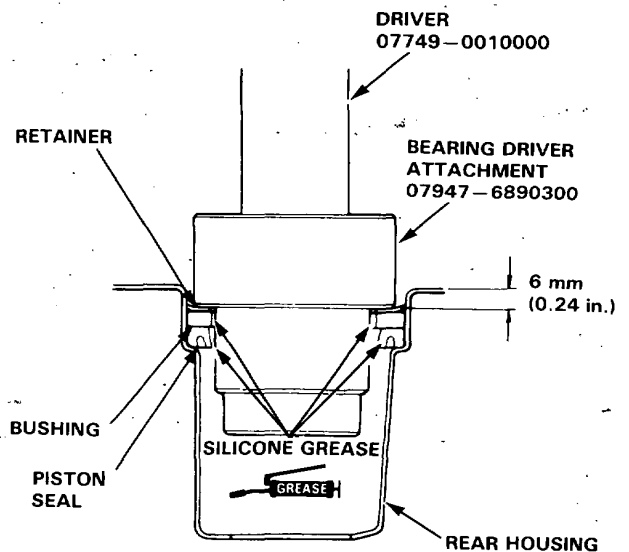
8. Apply silicone grease to the piston seal.
9. Position the piston seal, bushing and bushing retainer on the rear housing.



NOTE: Make sure the lip of the seal is facing in, as shown in drawing below.

10. Drive the bushing retainer in until it is 6 mm below the edge of the rear housing.

CAUTION: If you drive the retainer more than 6 mm, the piston seal may distort.

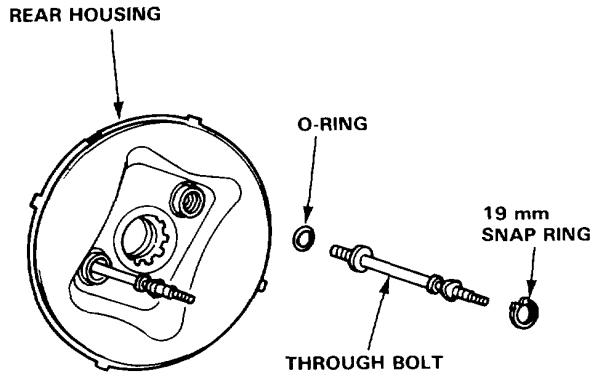


(cont'd)

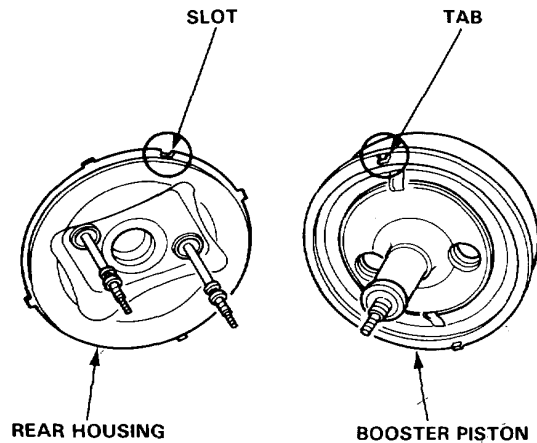
Brake Booster

Disassembly (cont'd)

11. Install the O-rings and through bolts on the rear housing and secure with 19 mm snap ring.

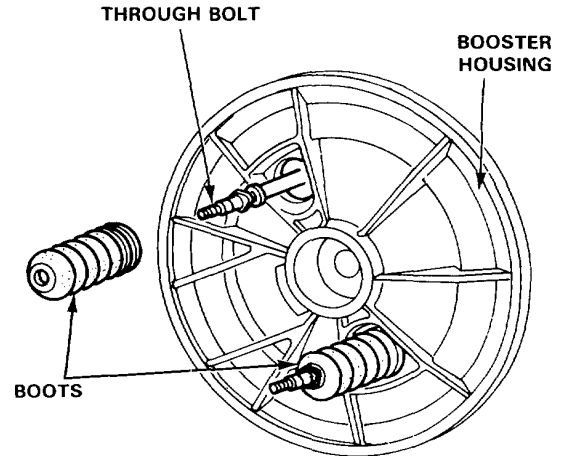


12. Install the booster piston on the rear housing aligning their tabs and slots.



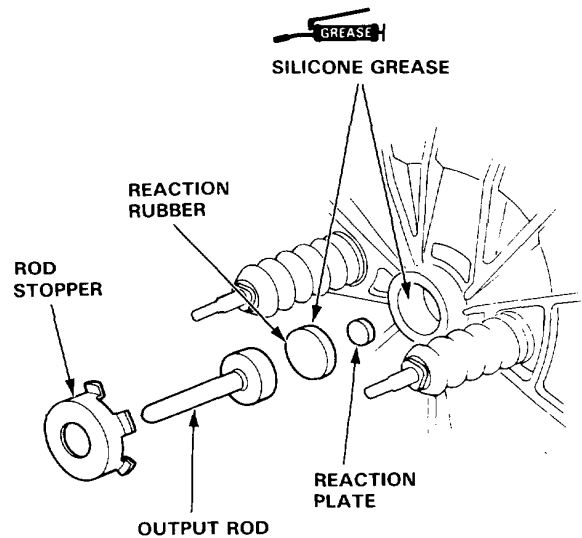
13. Install the boots on the through bolts.

NOTE: Make sure not to damage the boots when installing.



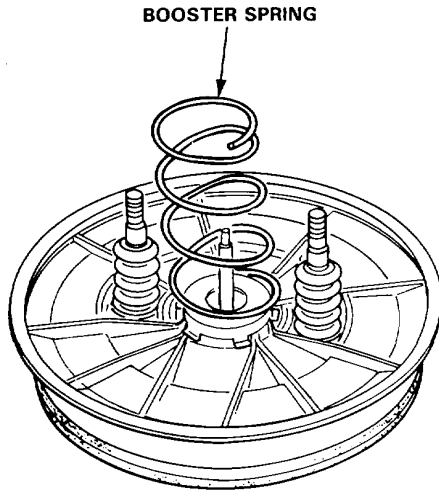
14. Apply silicone grease to the bore of the booster piston and reaction rubber.

15. Install the reaction plate, reaction rubber, output rod and rod stopper on the booster piston.



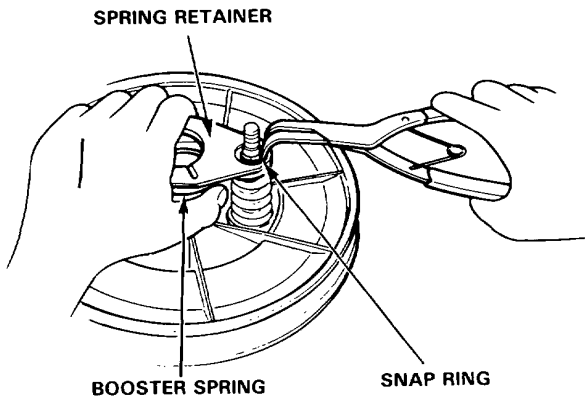


16. Install the booster spring.



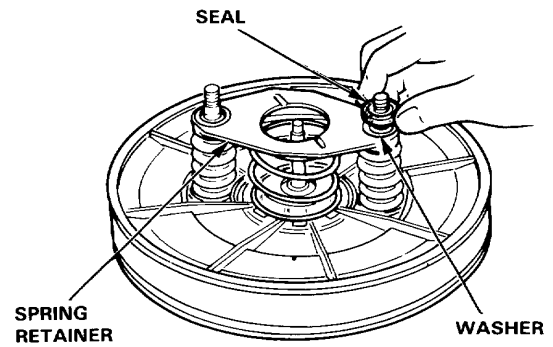
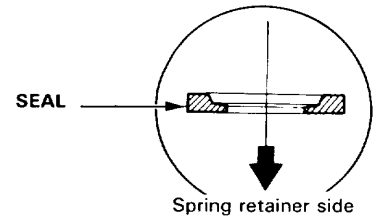
17. Install the spring retainer on the through bolts aligning the square portions of the bolts and retainer.

18. Compress the booster spring, then install the 10 mm snap ring on the through bolts.



19. Install the washers and seals on the through bolts.

NOTE: Install the seals with the flat sides facing the spring retainer side as shown.



20. Install the front housing and secure with E-clips.

