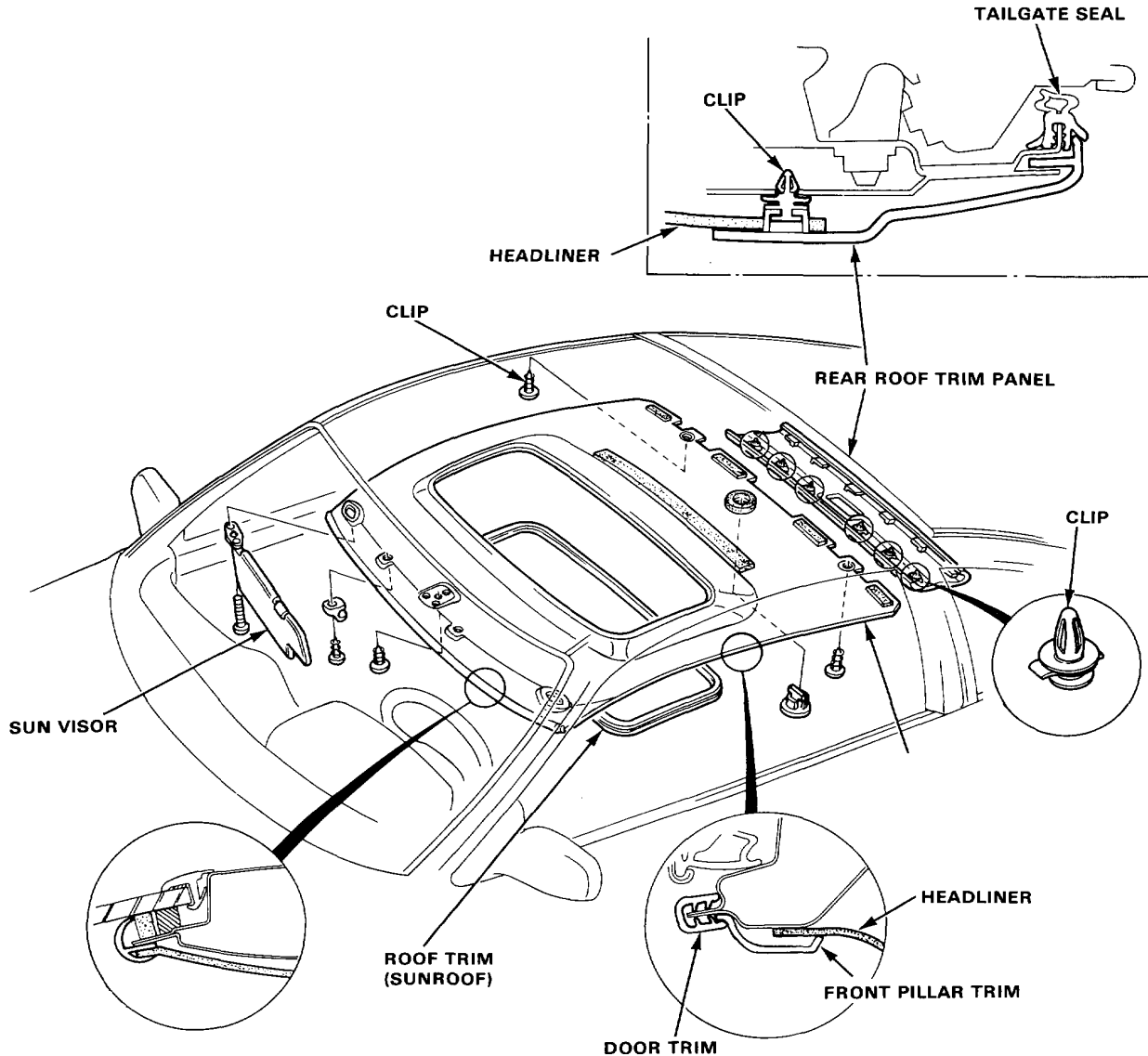


Headliner



Replacement

1. Remove:
 - Sun visors and holders.
 - Rearview mirror assembly (page 14-51).
 - Front pillar trim (page 14-44).
 - Quarter window trim panel (page 14-44).
 - Dome light.
 - Roof trim (Sunroof model).
2. Remove the clips and rear roof trim panel, then remove the headliner.



3. Assemble the headliner in the reverse order of disassembly.

NOTE:

- When installing the headliner inside the passenger compartment, be careful not to fold or bend it. Also, be careful not to scratch the body.
- Check that the two sides of the headliner are securely attached to the trim.