

Air Intake System

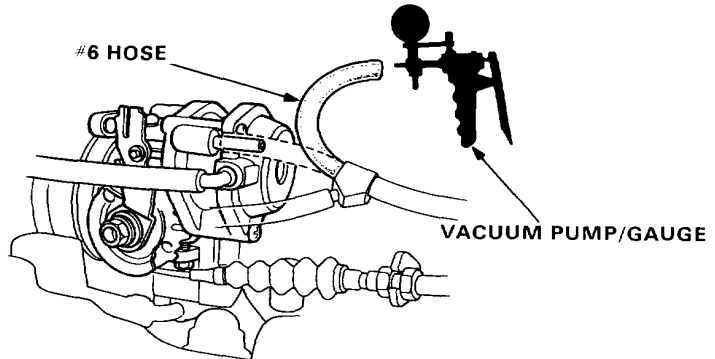
Throttle Control System

Troubleshooting Flowchart

Inspection of Throttle Control System

Start the engine and allow to idle.

Disconnect #6 hose from the dashpot diaphragm and connect a vacuum gauge.



Is there vacuum?

NO

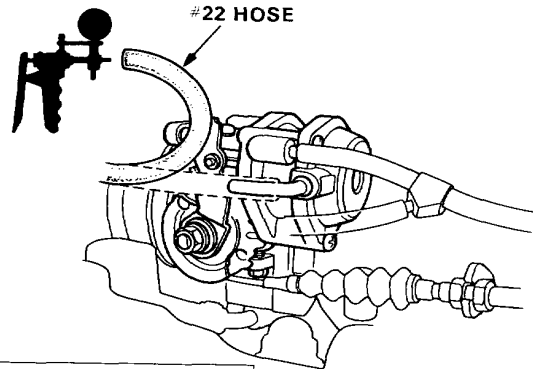
- Check the 3-way joint A.
- Repair blockage at port or pinch in #6 hose.

YES

Disconnect #22 hose from the dashpot diaphragm and connect a vacuum gauge.

NOTE:

- Coolant temperature must be below -10°C (14°F).
- Fast idle speed must be below $1,800\text{ min}^{-1}$ (rpm).



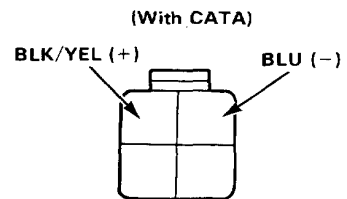
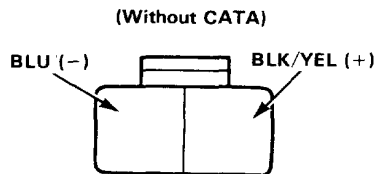
Is there vacuum?

YES

Disconnect the 2P (Without CATA) or 4P (With CATA) connector.

NO

Measure voltage between BLK/YEL (+) terminal and BLU (-) terminal.



Is there battery voltage?

YES

Replace the dashpot control solenoid valve.

NO

Measure voltage between BLK/YEL (+) terminal and body ground.

Is there battery voltage?

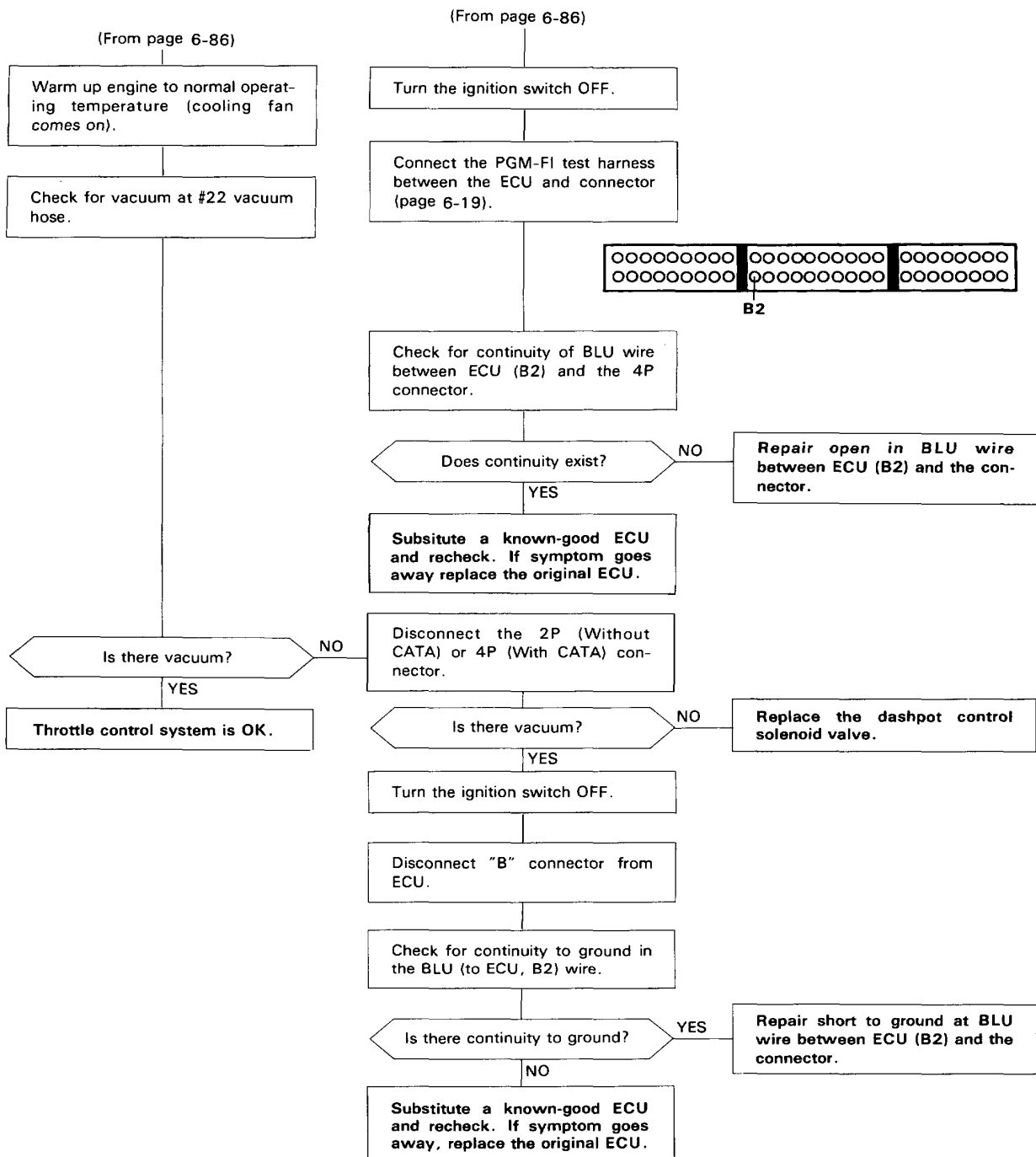
NO

Repair open in BLK/YEL wire between No.14 fuse and the connector.

YES

(To page 6-87)

(To page 6-87)



Air Intake System

Throttle Control System

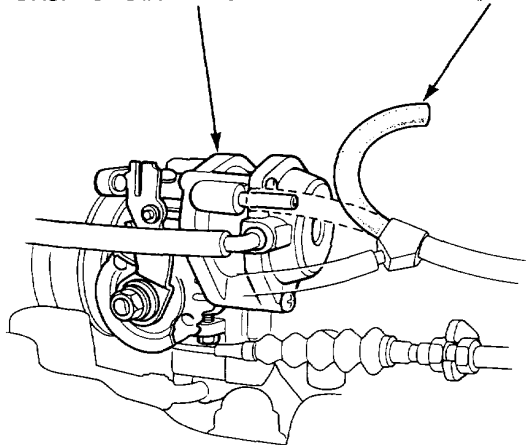
Dashpot Diaphragm Testing

1. Start the engine and warm up to normal operating temperature (the cooling fan comes on).
2. Disconnect #6 vacuum hose from the dashpot diaphragm and check the engine speed.

Engine speed should be $2,500 \pm 500 \text{ min}^{-1}$ (rpm)

DASHPOT DIAPHRAGM

#6 HOSE



- If the engine speed is out of specified engine speed, inspect the throttle body (page 6-84).