



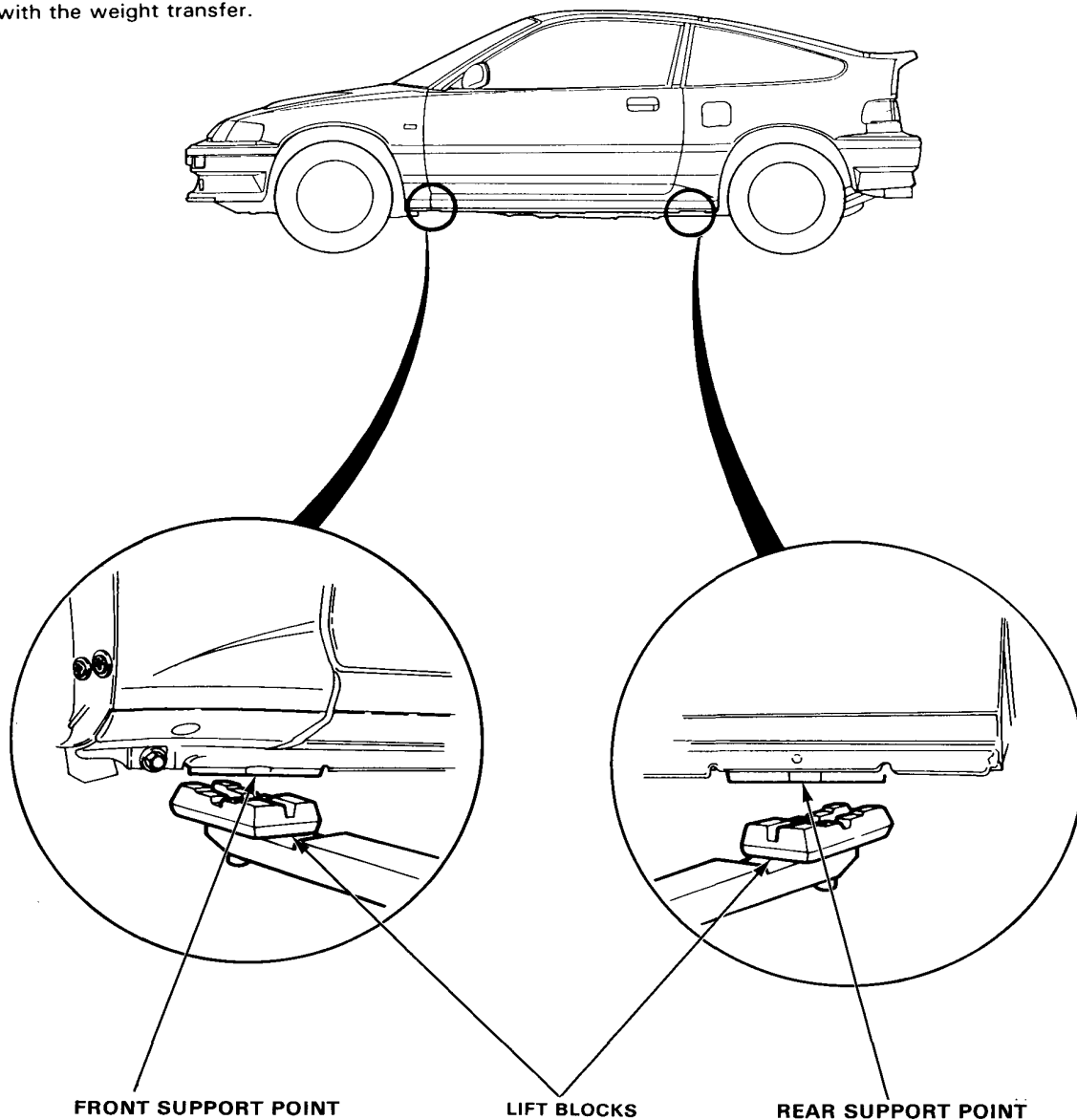
Lift and Support Points

Hoist

1. Place the lift blocks as shown.
2. Raise the hoist a few inches and rock the car to be sure it is firmly supported.
3. Raise the hoist to full height and inspect lift points for solid support.

WARNING When heavy rear components such as suspension, fuel tank, spare tire and trunk lid/hatch are to be removed, place additional weight in the trunk before hoisting. When substantial weight is removed from the rear of the car, the center of gravity may change and can cause the car to tip forward on the hoist.

NOTE: Since each tire/wheel assembly weighs approximately 14 kg (30 lbs), placing the front wheels in the trunk will assist with the weight transfer.



(cont'd)

Lift and Support Points (cont'd)

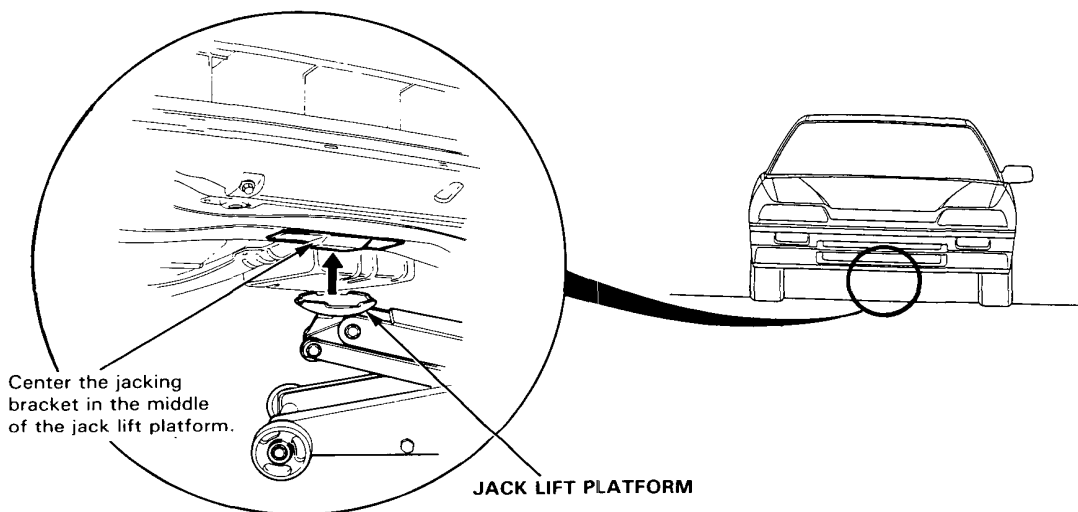
Floor Jack

1. Set the parking brake and block the wheels that are not being lifted.
2. When lifting the rear of the car, put the gearshift lever in reverse.
3. Raise the car high enough to insert the safety stands.
4. Adjust and place the safety stands as shown on page 1-7 so the car will be approximately level, then lower the car onto the stands.

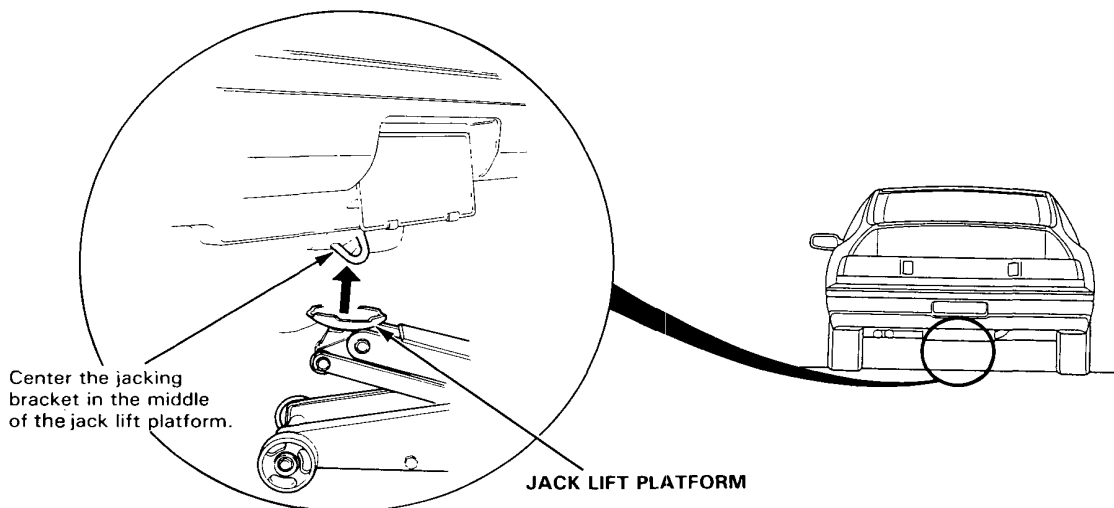
WARNING

- Always use safety stands when working on or under any vehicle that is supported by only a jack.
- Never attempt to use a bumper jack for lifting or supporting the car.

Front

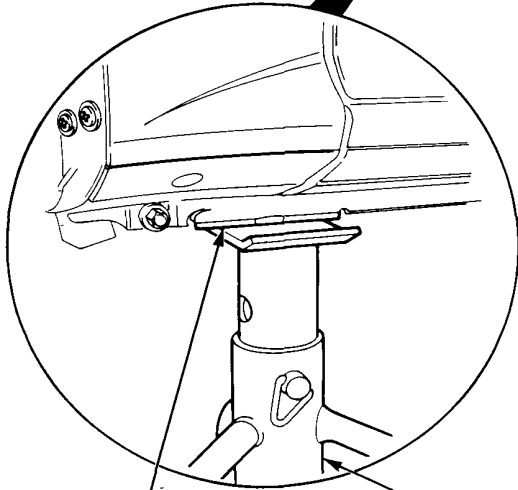
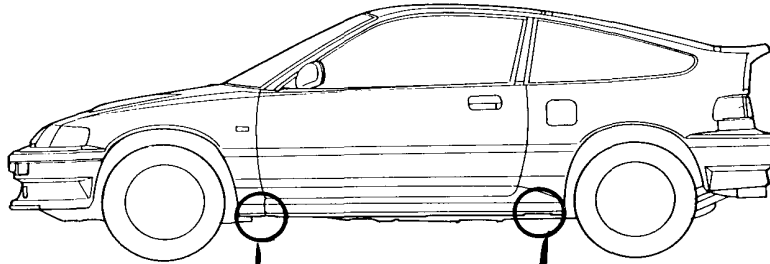


Rear

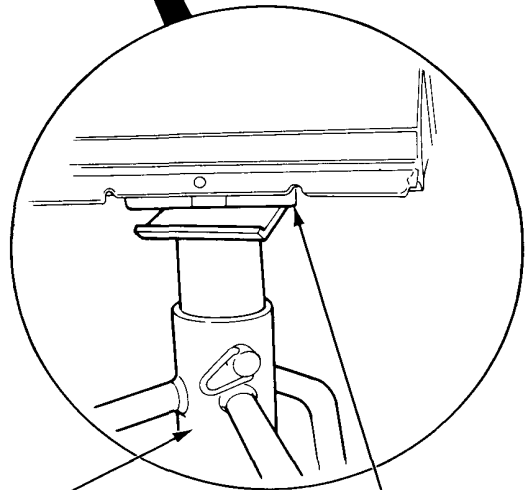




Safety Stands



FRONT SUPPORT POINT



REAR SUPPORT POINT

SAFETY STANDS