

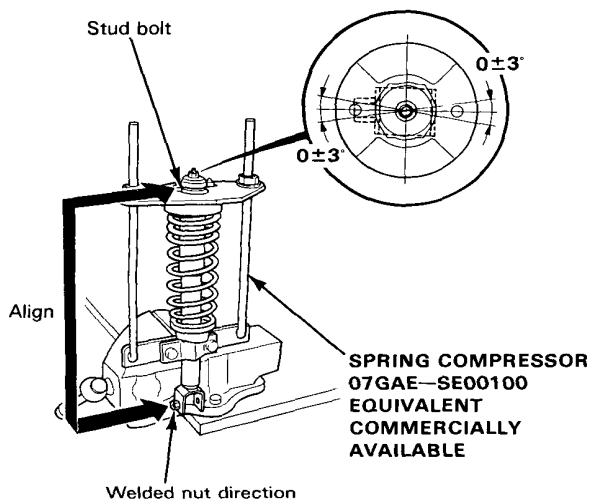
# Rear Suspension

## Damper Reassembly

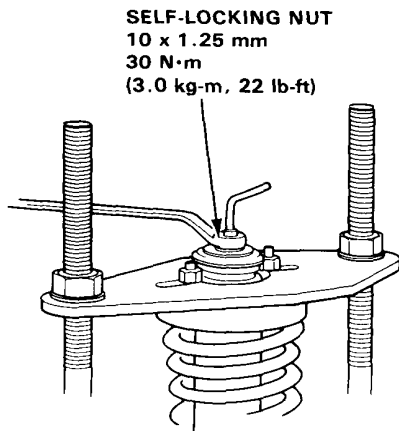
1. Install the damper unit on a spring compressor.
2. Install the damper spring, bump stop, stop plate, dust cover, dust cover plate, mounting rubber, damper mounting rubber, collar and damper mounting base on the damper unit.

**CAUTION:** Install the damper mounting base so that the angle of the stud bolt is as shown.

3. Compress the damper spring.



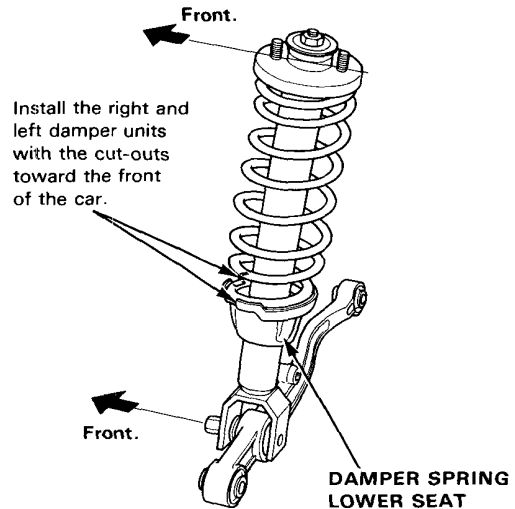
4. Install the damper mounting rubber and damper mounting washer, and loosely install a new 10 mm self-locking nut.
5. Hold the damper shaft and tighten the 10 mm self-locking nut.



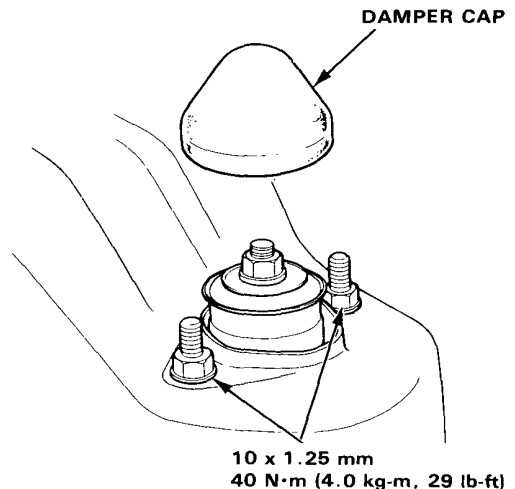
## Damper Installation

1. Lower the rear suspension and set the damper assembly.

**CAUTION:** Be sure that the two cut-outs in the damper spring lower seat are toward the front of the car as shown below.



2. Loosely install the damper mounting bolt.
3. Install the damper upper base mounting nuts and tighten them.



4. Install the damper cap.



5. Raise the rear suspension with a floor jack until the weight of the car is on the damper.

NOTE: The damper mounting bolts should be tightened with the damper under vehicle load.

6. Tighten the damper mounting bolt.

