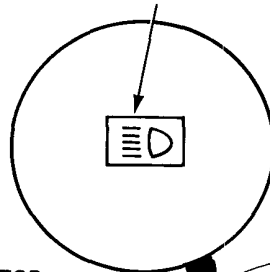


Lighting System

Component Location Index

- REAR FOG LIGHT SWITCH
Removal, page 16-7
Test, page 16-7

HIGH BEAM INDICATOR LIGHT
(in the gauge assembly)



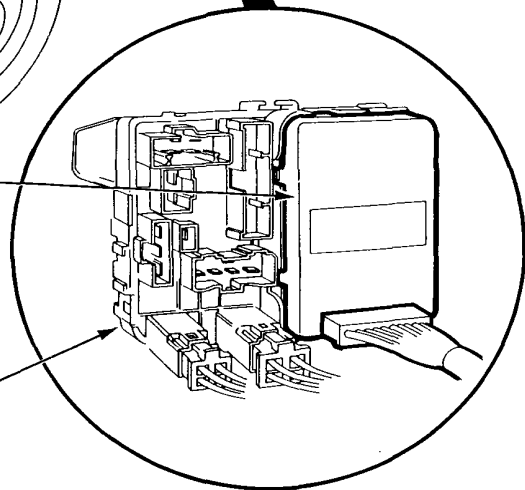
LIGHTING SWITCH
Test, page 16-9
Replacement, page 16-10

DIM-DIP RESISTOR
(KE model only)
Test, page 16-8

LIGHTING RELAY
(KE model only)
Test, page 16-8

HEADLIGHTS
Replacement, page 16-10

- DAYTIME RUNNING LIGHT RELAY
KS, KW (Norway, Finland)
model
- DIM-DIP RELAY
KE model only



DASH FUSE BOX
(Located under dash, driver side)