

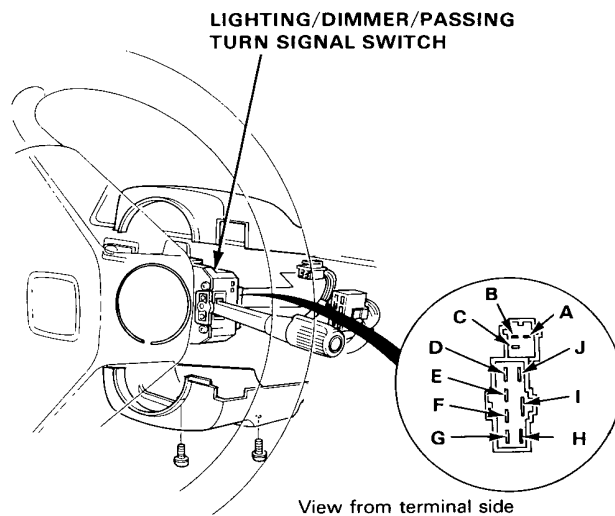
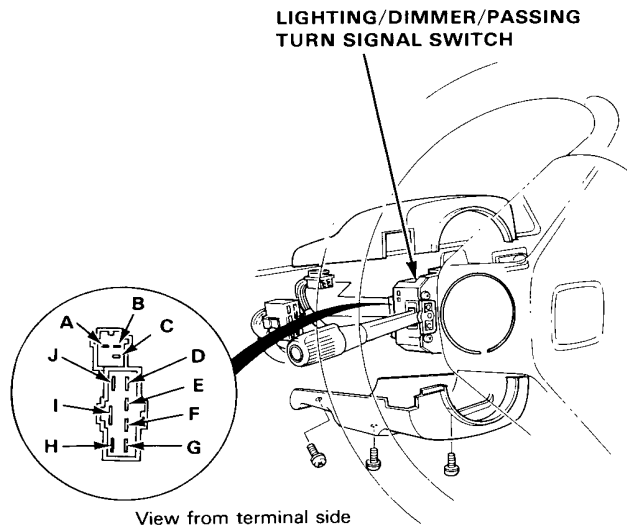


Lighting/Turn Signal Switch Test

1. Remove the column covers.
2. Disconnect the 7-P and 4-P connectors from the switch.
3. Check for continuity between the terminals in each switch position according to the tables.

LHD:

RHD:



Lighting/Dimmer/Passing Switch

Terminal		D	E	F	G	I	J
Position				*1			
Lighting switch	OFF						
		○	○				
Dimmer switch *2	LOW			○	○	○	
	HIGH					○	○
Passing switch	OFF						
	ON					○	○

* 1: KG, KX, KB and KW (Except Finland, Norway) models

* 2: Lighting switch position in ()

Turn Signal Switch

Terminal		A	B	C
LHD:	R	○		○
	NEUTRAL			
	L	○	○	
RHD:	R	○	○	
	NEUTRAL			
	L	○		○