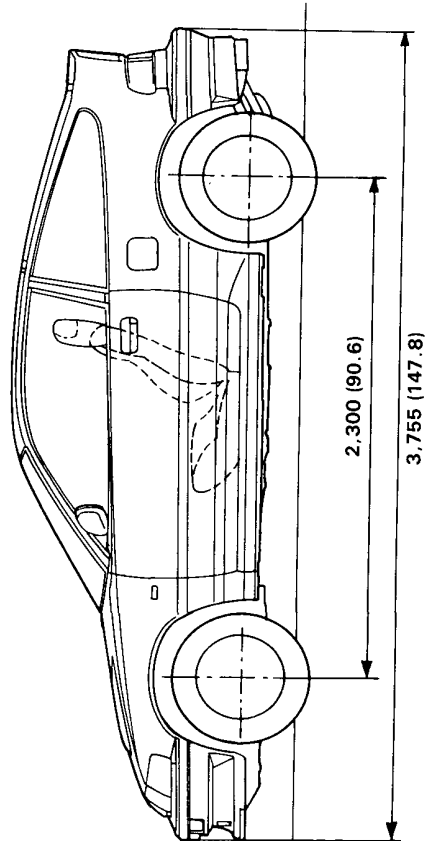
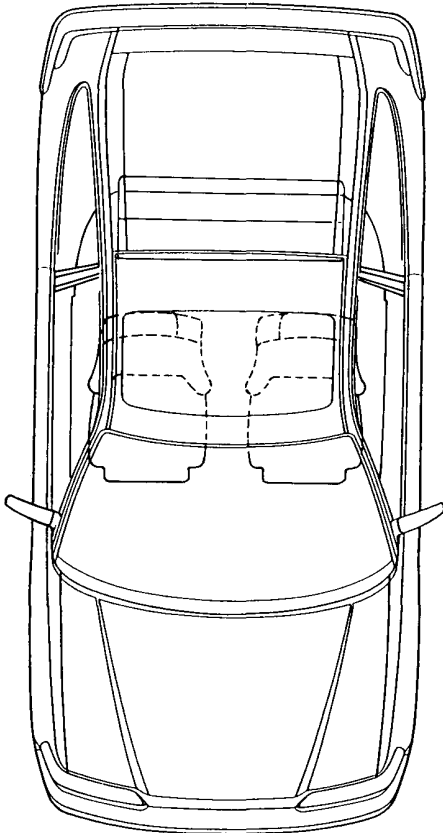
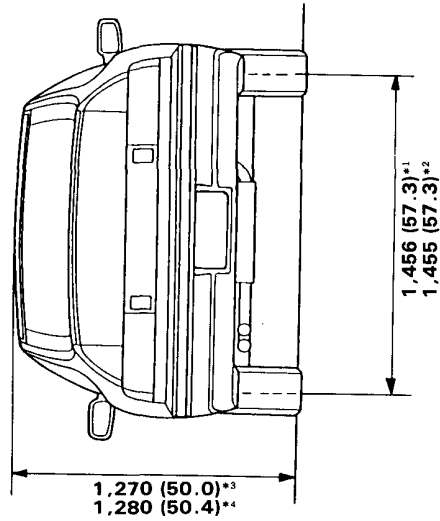
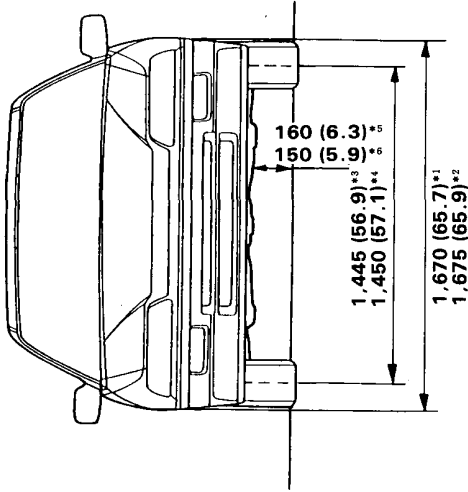


# Body Specifications

Unit: mm (in.)



\* 1: except KQ, KY \* 2: KQ, KY \* 3: except KY \* 4: KY \* 5: without CATA \* 6: with CATA

# Frame Repair Chart

Unit: mm (in.)

