

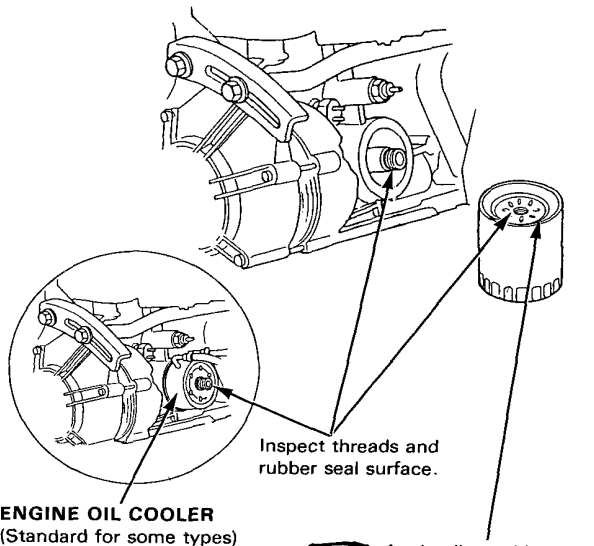
Engine Tune-up


Oil Filter Replacement

WARNING : After the engine has been run, the exhaust pipes will be hot, be careful when working around the exhaust manifold.

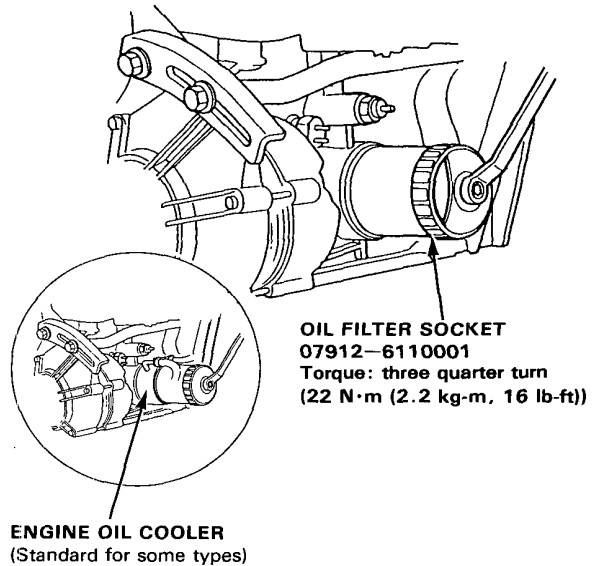
CAUTION: Used engine oil may cause skin cancer if repeatedly left in contact with the skin for prolonged periods. Although this is unlikely unless you handle used oil on a daily basis, it is still advisable to thoroughly wash your hands with soap and water as soon as possible after handling used oil.

1. Remove the oil filter with the special oil filter socket or wrench.
2. Inspect the threads and rubber seal on the new filter. Wipe off seat on engine block, then apply a light coat of oil to the rubber seal, and install filter.
3. After the rubber seal is seated, tighten the filter by turning approximately three quarter turn.

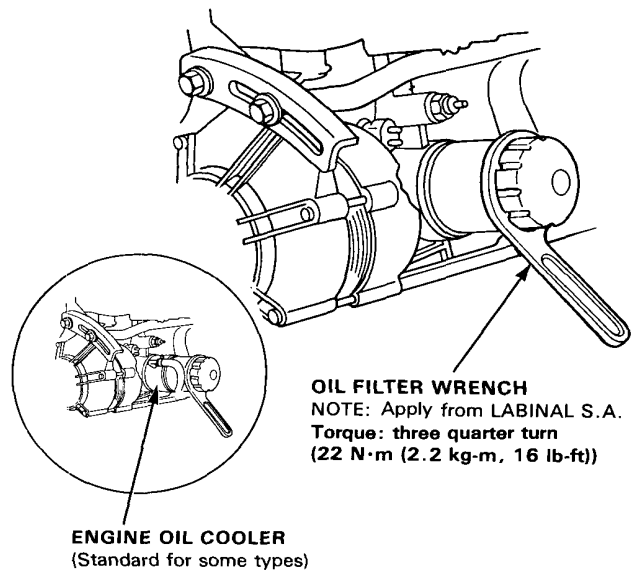


 Apply oil to rubber seal before installing.

JAPAN-MADE TYPE (filter size 80.0 mm)



FRANCE-MADE TYPE (filter size 76.2 mm)



4. Start the engine and check the filter for oil leakage.