

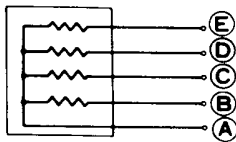
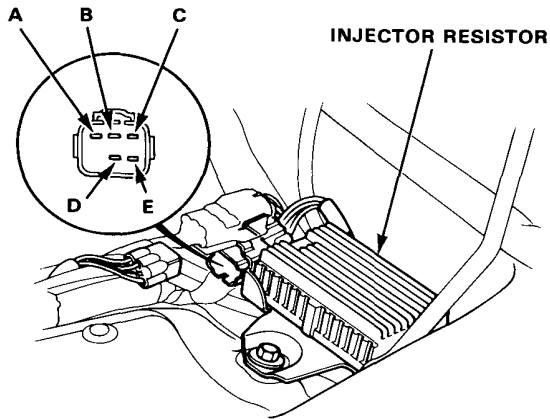


Injector Resistor

Testing

1. Disconnect the resistor connector.
2. Check for resistance between each of the resistor terminals (E, D, C and B) and the power terminal (A).

Resistance should be: 5–7 Ω



- Replace the resistor with a new one if any of the resistances are outside of the specification.