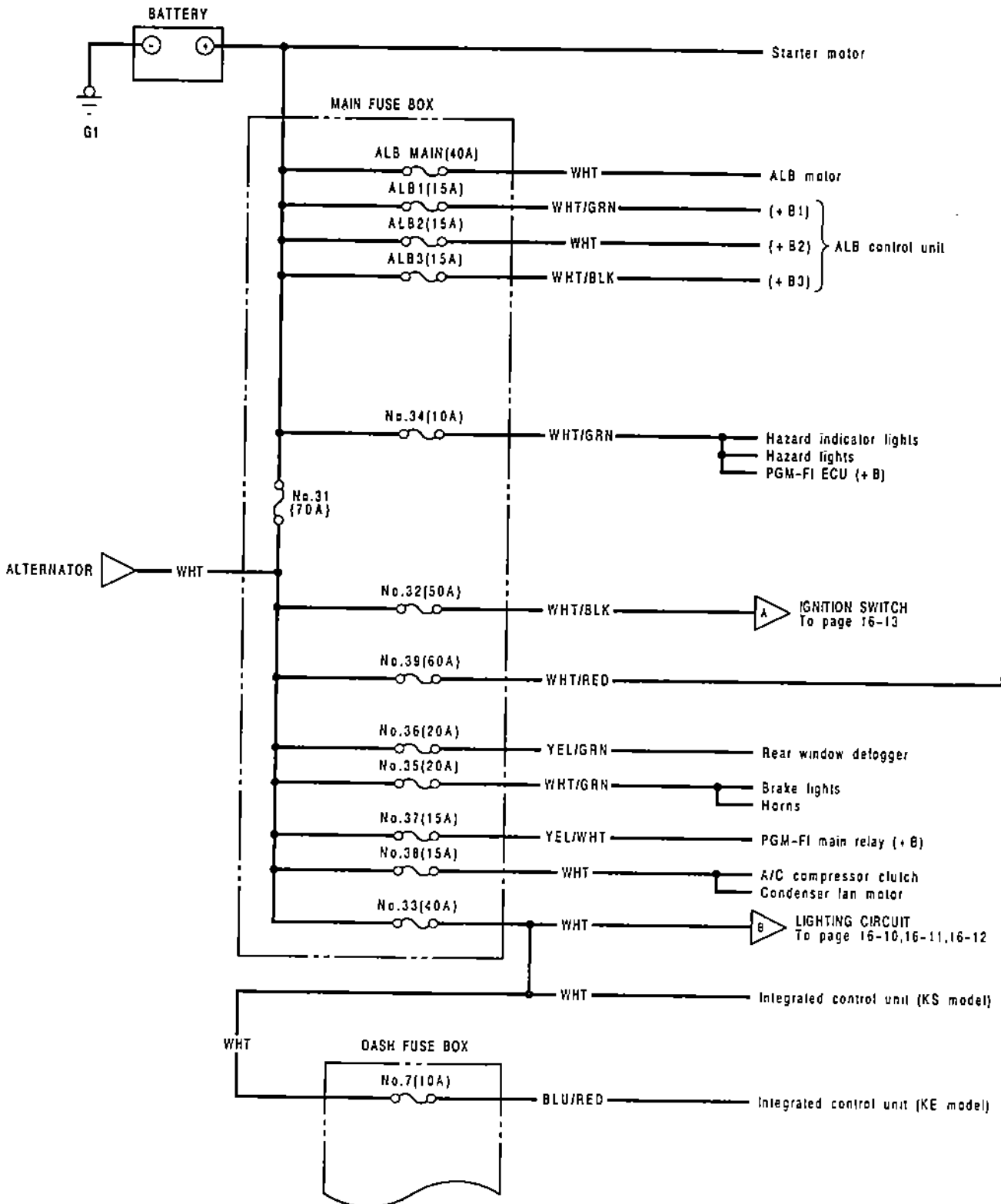
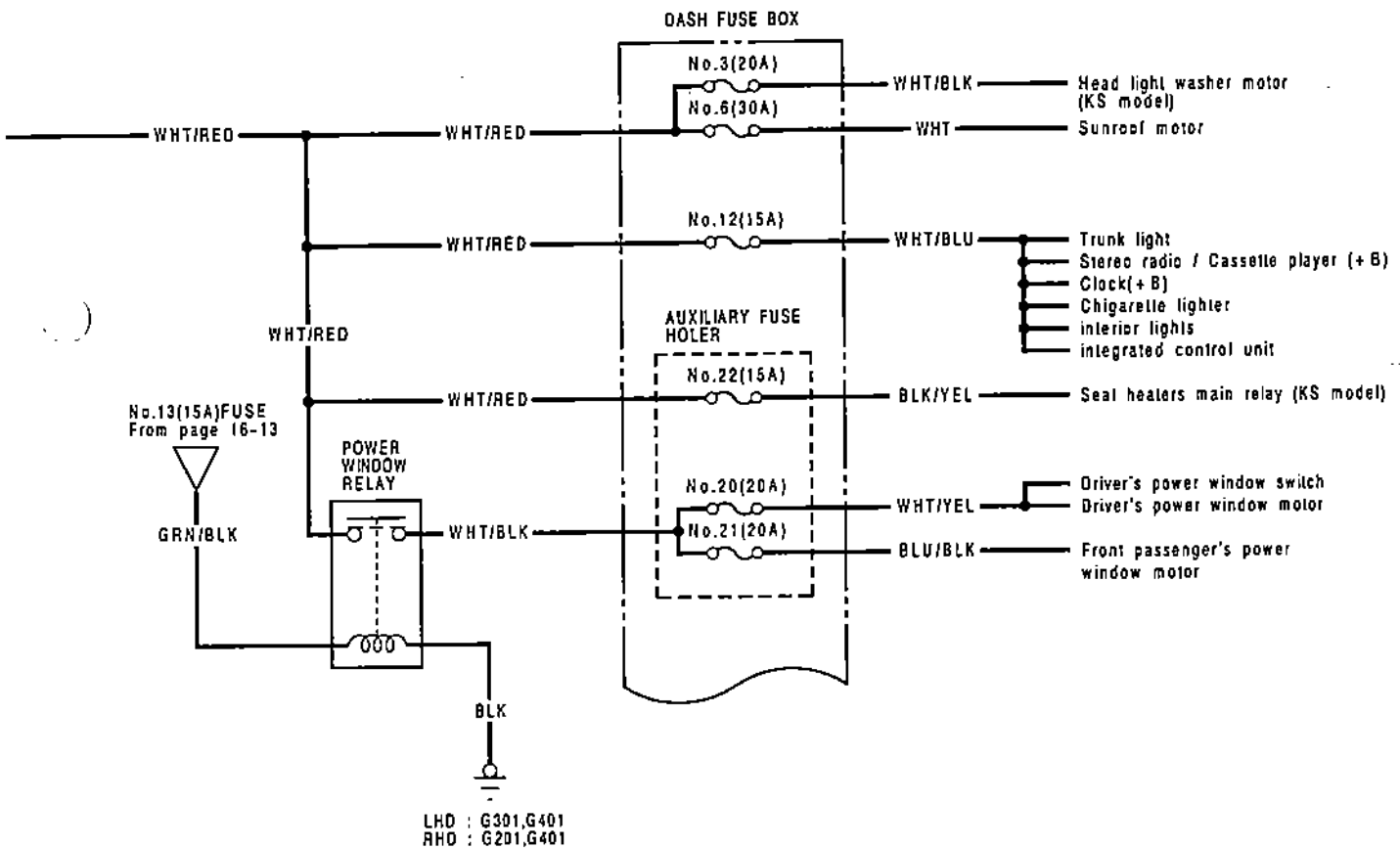


Power Distribution

Circuit Identification



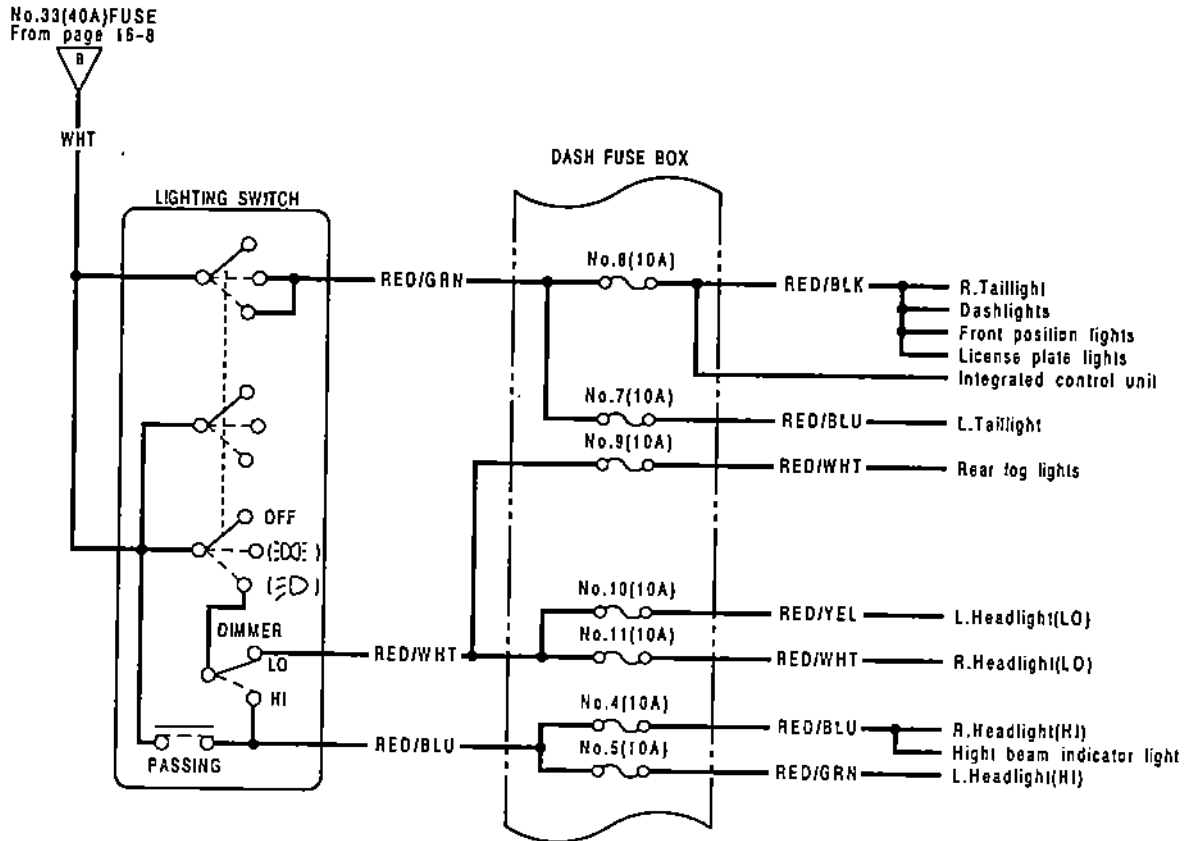


(cont'd)

Power Distribution

Circuit Identification (cont'd)

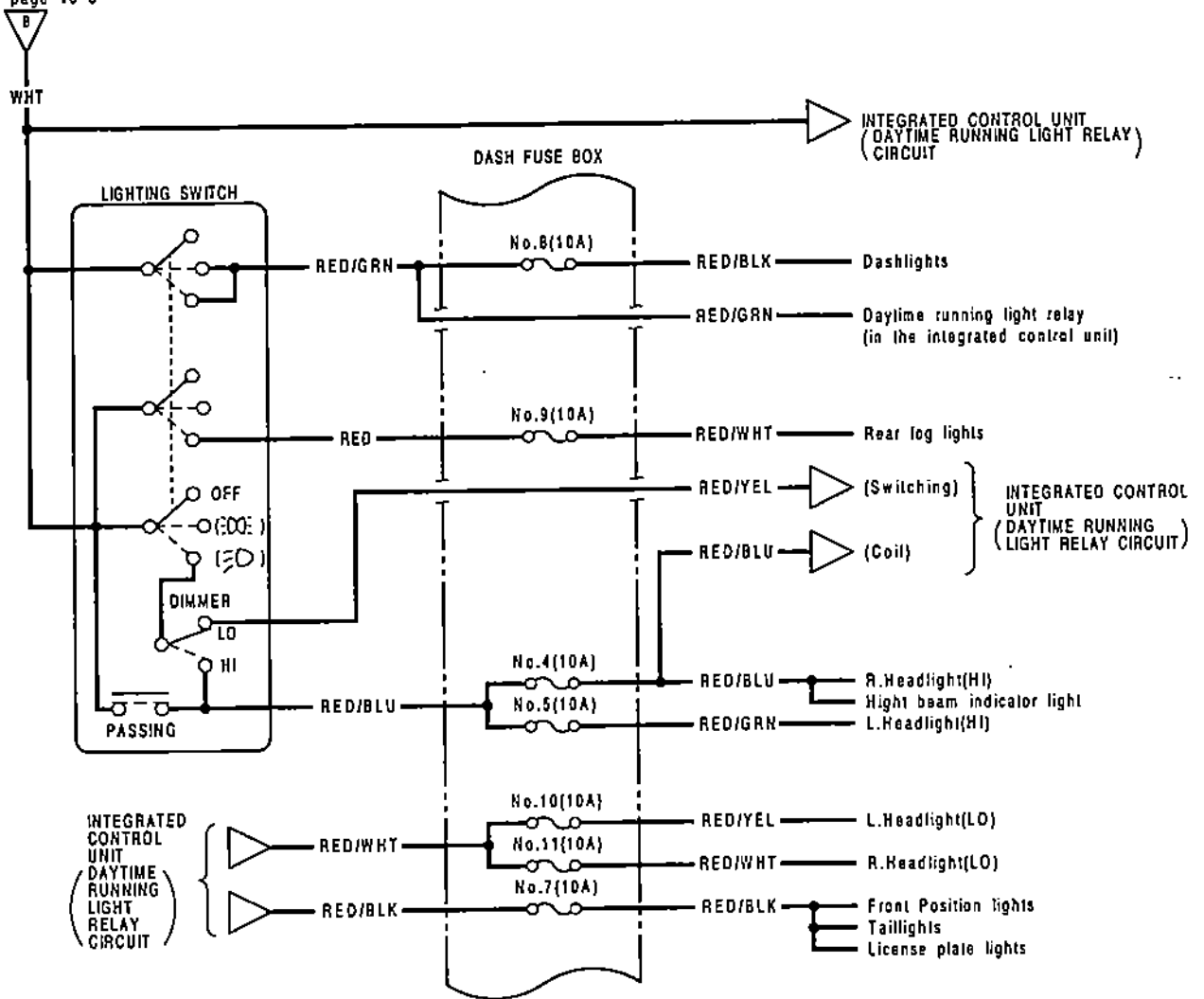
Except KE ,KS model





KS model:

No.33(40A) FUSE
From page 16-8

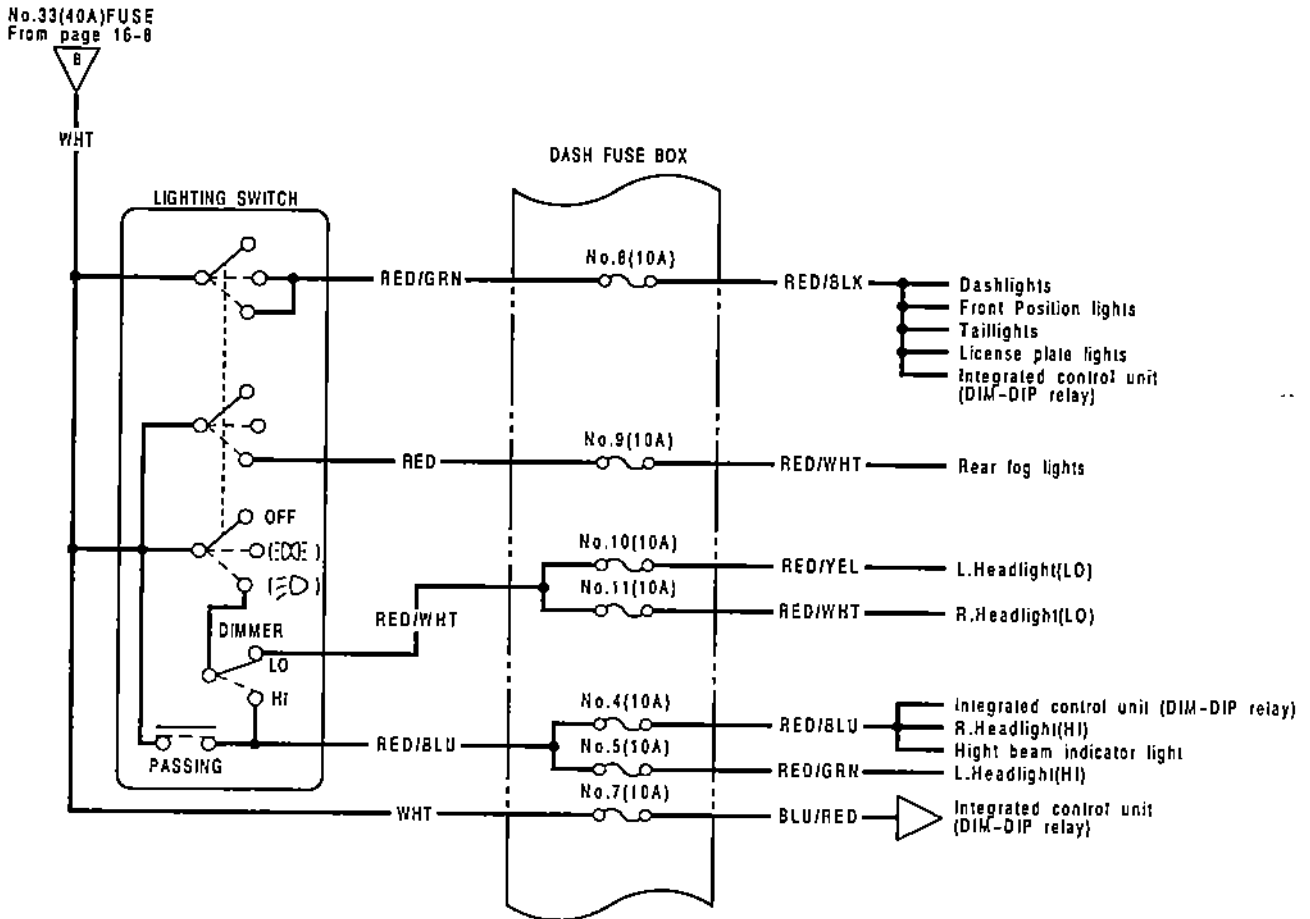


(cont'd)

Power Distribution

Circuit Identification (cont'd)

XE model





No.32(50A) FUSE
From page 16-8

